

SINGER
900/3100/3102/3130/3140

SINGER MEXICANA S.A. DE C.V.

20/ENERO/92

3102

REPLACEMENT PARTS LIST 900 AND 3100 SERIES MACHINE

EXPLOSIVE VIEW AND LIST OF PARTS

3130 / 3140

Same except for color

3130 — L. BUFF

3140 — S. WHITE

INDEX

PAGE	DESCRIPTION
1-2	SUB-ASSEMBLY ARM AND BED
3-5	ARM TOP COVER & CONTROL PANEL
6-7	ARM SHAFT DRIVE
8-9	ARM TOP COVER & FACE PLATE
10-11	PRESSER BAR & THREAD TAKE UP
12-13	NEEDLE BAR
14-15	BIGHT AMPLITUDE
16-17	NEEDLE POSITION & BIGHT AMPLITUDE
18-19	NEEDLE POSITION & DISC SELECTOR
20-21	CAM STACK
22-23	FEED REGULATOR WITH BUTTONHOLER
24-25	FEED REGULATOR
26-27	FEED SYSTEM
28-29	ROTATING HOOK THROAT PLATE & BED SLIDE
30-31	TENSION MECHANISM
32-33	INTEGRAL LIGHT
34-36	ATTACHMENT SET
37-38	MACHINE PACKING DEVELOPMENT
39-40	FOOT CONTROLLER DEVELOPMENT
41-42	OPTIONS PARTS
43-44	SET ELECTRIC COMPLETE

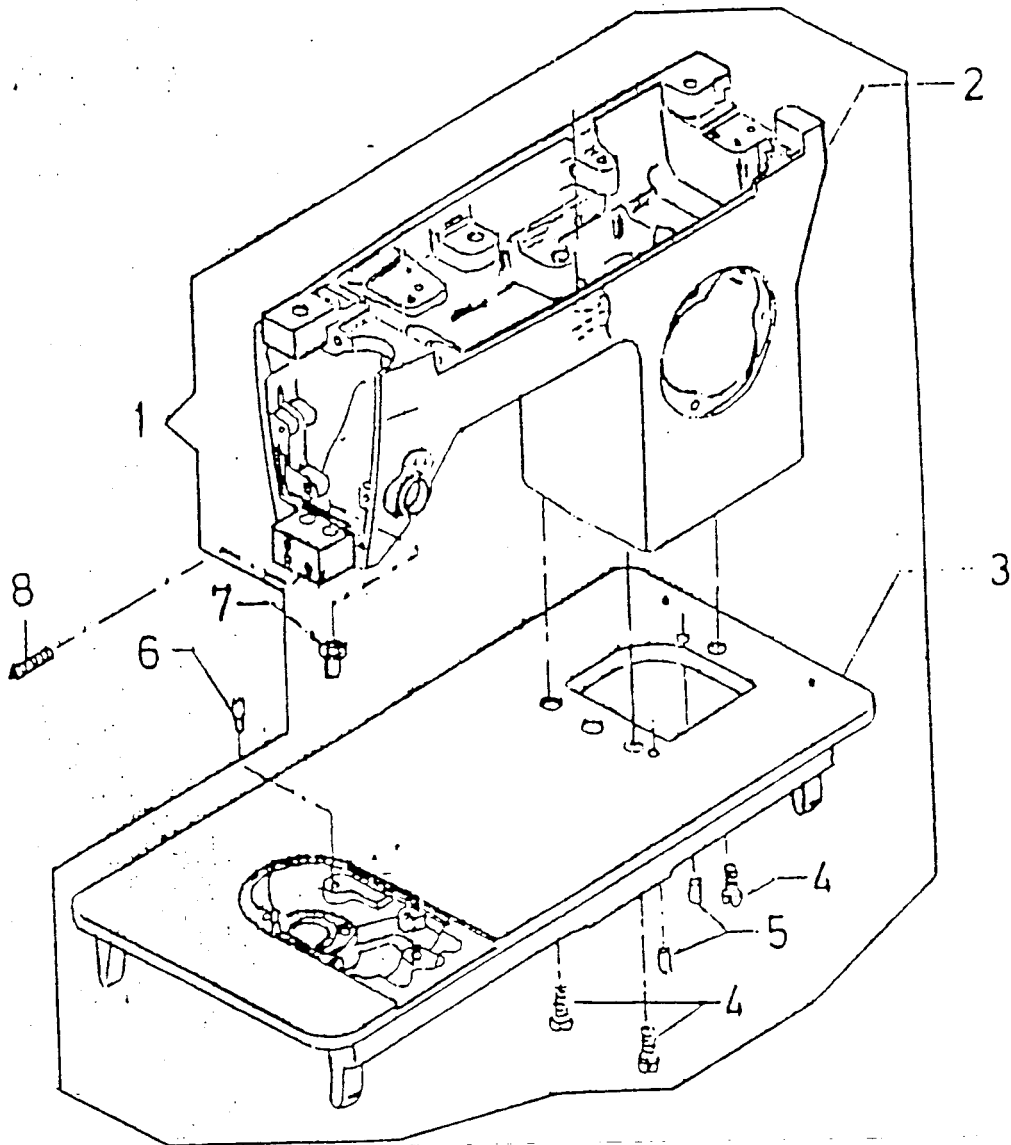
NOMENCLATURE
=====

TYPE:

(0)	SUB ASSEMBLY
(2)	MFG. PARTS IN FACTORY
(4)	PURCHASE PARTS

CLASS:

(AL)	ALUMINUM PARTS
(FO)	PHOTOGRABURE
(HG)	CAST IRON PARTS
(PB)	BAKELITE PLASTIC PARTS
(PT)	FINISH PARTS
(RE)	SPRING PARTS
(ST)	METAL POWDER PARTS
(TF)	FORJED SCREW PARTS
(TO)	TURNING PARTS
(TQ)	TO STAMP PARTS
(XB)	IMPORTED BRAZIL PARTS
(XF)	IMPORTED FRANCE PARTS
(XM)	IMPORTED MONZA PARTS
(XK)	IMPORTED TURKEY PARTS
(SU)	SUB ASSEMBLY



SUB-ASSEMBLY ARM AND BED

LISPTE1

SUB-ASSEMBLY ARM AND BED

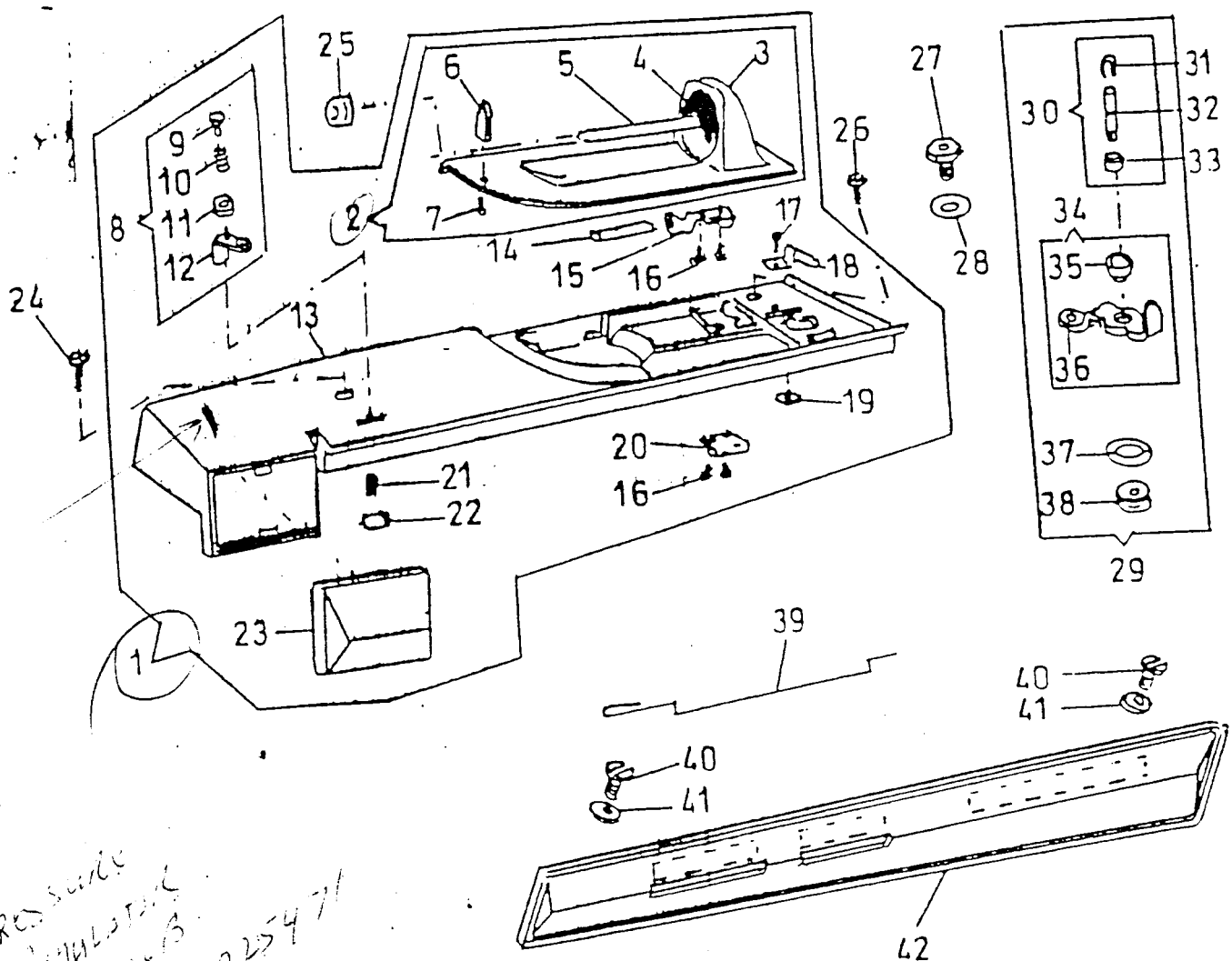
T C	MODELS						2	3	3
Y L	9	9	9	9	9	4	1	1	
P A	7	7	6	6	6	0	3	0	
E S	4	2	8	6	4	4	0	2	
S	R	R	R	R	R	R	R	R	

REF. PART NBR

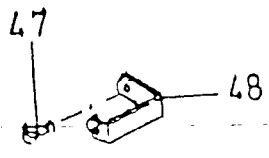
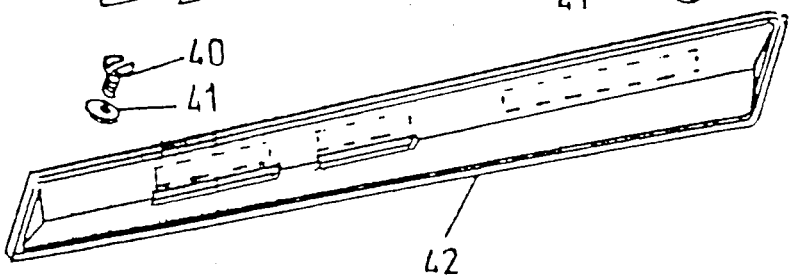
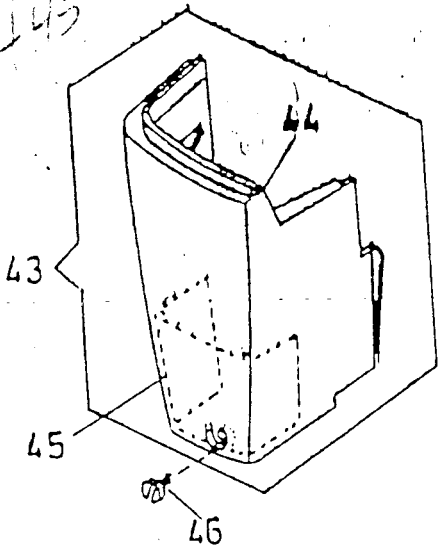
DESCRIPTION

1	QRO-1232	HEAD OF MACHINE (LIGHT BUFF)	0	SU	X	X	X	X	X	X	X	X	X
	QRO-1232-001	HEAD OF MACHINE (LIGHT BUFF)	0	SU							X	X	X
2	531795-900	ARM MACHINED	2	HG	X	X	X	X	X	X	X	X	X
3	QRO-1167-901	BED MACHINED	2	HG	X	X	X	X	X	X	X	X	X
4	354554-452	ARM AND BED MOUNTING SCREW	4	TF	X	X	X	X	X	X	X	X	X
5	2002	PIN ASSEMBLY	4	TF	X	X	X	X	X	X	X	X	X
6	179943	THROAT PLATE POSITION PIN	4	PB	X	X	X	X	X	X	X	X	X
7	531612-901	DEEDLE BAR BALL BUSHING IN ARM	4	XB	X	X	X	X	X	X	X	X	X
8	141938-833	NEEDLE B. BALL ADJUSTING SET SCREW2 TO			X	X	X	X	X	X	X	X	X

Filter plate hinge screws #354312-51



Pressure
Regulator
No. B
445 225471



ARM TOP COVER & CONTROL PANEL

LISPTE4

ARM TOP COVER & FACE PLATE

T C	MODELS							
Y L	9	9	9	9	9	4	1	1
P A	7	7	6	6	6	0	3	0
E S	4	2	8	6	4	4	0	2
S	R	R	R	R	R	R	R	R

REF. PART NBR

DESCRIPTION

1	356254-451	ARM TOP COVER COMPLETE	0	SU		X							
	356252-451	ARM TOP COVER COMPLETE	0	SU			X						
	356252-452	ARM TOP COVER COMPLETE	0	SU				X					
	356252-453	ARM TOP COVER COMPLETE	0	SU									X
2	44368	BOBBIN WINDER TENSION & TH. GUIDE	0	SU	X	X	X	X	X	X	X	X	X
3	141920-451	BOBBIN WINDER STOP SCREW	4	TF	X	X	X	X	X	X	X	X	X
4	444746	BOBBIN WINDER STOP	4	TQ			X	X	X				X
5	356249-901	ARM TOP COVER (LIGHT BUFF)	4	PB			X	X	X				X
6	53640-819	BOBBIN WINDER STOP NUT	4	TQ	X	X	X	X	X	X	X	X	X
7	141936-833	SET SCREW	2	TO	X	X	X	X	X	X	X	X	X
8	44794	THREAD GUIDE RETAINING	4	TQ	X	X	X	X	X	X	X	X	X
9	356250-905	MEDALLION FRAME. (BLUE PANTONE)	4	PB			X						
	356250-906	MEDALLION FRAME (GLOSS BLACK)	4	BP				X					
	356250-907	MEDALLION FRAME. BRIGHT TURQUOISE	4	PB					X				
	356250-908	MEDALLION FRAME. (GLOSS BLACK)	4	PB									X
10	531991-918	CONTROL PANEL (BLUE PANTONE)	4	PB			X						
	531978-912	CONTROL PANEL (GLOSS BLACK)	4	PB				X					
	532000-903	CONTROL PANEL (BRIGHT TURQUOISE)	4	PB					X				
	531978-913	CONTROL PANEL (GLOSS BLACK)	4	PB									X
11	QRO-1007	ARM TOP COVER MOUNTING SCREW	4	TF	X	X	X	X	X	X	X	X	X
12	QRO-1006	ARM TOP COVER MOUNTING SCREW	4	TF			X	X	X				X
13	QRO-1246	FACE PLATE COMPLETE	0	SU	X	X	X	X	X	X	X	X	X
14	141844-819	MOUNTING SCREW	4	TF	X	X	X	X	X	X	X	X	X
15	446002-819	FACE PLATE BRACKET	4	TQ	X	X	X	X	X	X	X	X	X
16	354547-451	CONTROL PANEL SCREW	4	TO	X	X	X	X	X	X	X	X	X
17	352026	SPRING WASHER	4	TQ	X	X	X	X	X	X	X	X	X
18	4436935490	BOBBIN WINDER COMPLETE	0	SU			X	X	X				X
19	445214	BOBBIN WINDER SPINDLE COMPLETE	0	SU			X	X	X				X
20	20477-997	BOBBIN WINDER SPINDLE SPRING	4	RE	X	X	X	X	X	X	X	X	X
21	44405	BOBBIN WINDER SPINDLE COLLAR	2	TO			X	X	X				X
22	445213	BOBBIN WINDER SPINDLE	4	TO			X	X	X				X
23	37998	BOBBIN WINDER FRAME COMPLETE	0	SU			X	X	X				X
24	37999-900	BOBBIN WINDER FRAME BUSHING	2	TO			X	X	X				X
25	37997	BOBBIN WINDER FRAME	4	TQ			X	X	X				X
26	15287-701	BOBBIN WINDER FRICTION WASHER	4	PT	X	X	X	X	X	X	X	X	X
27	44440	BOBBIN WINDER PULLEY	4	PB	X	X	X	X	X	X	X	X	X

From the library of: Diamond Needle Corp

LISPTE2

ARM TOP COVER & CONTROL PANEL

T	C	MODELS					2	3	3
Y	L	9	9	9	9	9	4	1	1
P	A	7	7	6	6	6	0	3	0
E	S	4	2	8	6	4	4	0	2
S		R	R	R	R	R	R	R	R

REF.	PART NBR	DESCRIPTION	T	C	MODELS	2	3	3
1	QRO-1247	ARM TOP COVER COMPLETE	0	SU	X			
	QRO-1247-001	ARM TOP COVER COMPLETE	0	SU	X			
	QRO-1247-002	ARM TOP COVER COMPLETE	0	SU			X	
	QRO-1247-003	ARM TOP COVER COMPLETE	0	SU				X
2	447345	ARM TOP COVER LID COMPLETE	0	SU	X X			X X
3	44980-903	TOP COVER LID (LIGHT BUFF)	4	PB	X X		X	X
4	44667-901	SPOOL PIN CUSHION	4	PT	X X		X	X
5	44661-903	SPOOL PIN (LIGHT BUFF) NUT	4	PB	X X		X	X
6	44537-453	THREAD GUIDE TOP COVER LID	4	PB	X X		X	X
7	139862-1019	THREAD GUIDE SCREW	4	TF	X X		X	X
8	44368	BOBBIN WINDER TENSION COMPLETE	0	SU	X X X X X	X	X	X X
9	22238-997	RIVET BOBBIN WINDER	2	TO	X X X X X	X	X	X X
10	45847	DISC SPRING	4	RE	X X X X X	X	X	X X
11	45915	THREAD GUIDE DISC	4	TQ	X X X X X	X	X	X X
12	44366	THREAD GUIDE TOP COVER	4	TQ	X X X X X	X	X	X X
13	44676-903	ARM TOP COVER COMPLETE	4	PB	X X		X	X
14	44641	ARM TOP COVER LID HINGE PIN	2	TO	X X		X	X
15	44640	ARM TOP COVER LID HINGE	4	TQ	X X		X	X
16	531631-451	ARM TOP COVER LID SCREW	4	TF	X X			X X
17	141920-451	BOBBIN WINDER STOP SCREW	4	TF	X X X X X	X	X	X X
18	44648	BOBBIN WINDER STOP	4	TQ	X X		X	X
19	53640-819	BOBBIN WINDER STOP SCREW NUT	4	TQ	X X X X X	X	X	X X
20	445485	ARM TOP COVER LID HINGE SPRING	4	TQ	X X		X	X
21	141936-833	SET SCREW	2	TO	X X X X X	X	X	X X
22	44794	THREAD GUIDE RETAINING	4	TQ	X X X X X	X	X	X X
23	445576-472	MEDALLION FRAME (DARK WINE)	4	PB	X			
	445576-473	MEDALLION FRAME (GLOSS BLACK)	4	PB	X			
	445576-474	MEDALLION (DARK WINE) 2404 MERRIT	4	PB			X	
	445576-475	MEDALLION (DARK WINE) 3130	4	PB				X
24	QRO-1007	ARM TOP COVER MOUNTING SCREW	4	TF	X X		X	X
25	507664-459	ARM TOP COVER SP. PIN THREAD LEAD	4	PB	X X		X	X
26	QRO-1005	ARM TOP COVER MOUNTING SCREW	4	TF	X X		X	X
27	354547-451	BOBBIN WINDER HINGE SCREW	4	TO	X X X X X	X	X	X X
28	352025	WASHER SPRING	4	TQ	X X X X X	X	X	X X
29	44649	BOBBIN WINDER COMPLETE	0	SU	X X			X X
30	445216	BOBBIN WINDER SPINDLE SUB-ASSY	0	SU	X X		X	X
31	20477-997	SPINDLE SPRING	4	RE	X X X X X	X	X	X X
32	445215	BOBBIN WINDER SPINDLE	4	TO	X X		X	X
33	44678-900	COLLAR BOBBIN WINDER SPINDLE	2	TO	X X		X	X
34	44644	BOBBIN WINDER FRAME SUB-ASSY	0	SU	X X		X	X
35	44645	BOBBIN WINDER FRAME BUSHING	2	TO	X X		X	X
36	44643	BOBBIN WINDER FRAME	4	TQ	X X		X	X
37	15287-701	BOBBIN WINDER FRICTION RING	4	PT	X X X X X	X	X	X X
38	44440	BOBBIN WINDER PULLEY	4	PB	X X X X X	X	X	X X
39	44589	DISC FOLLOWER SPRING	4	RE	X X		X	X
40	354765-451	CONTROL PANEL SCREW	4	TF	X X		X	X
41	447492	CONTROL PANEL WASHER	4	TQ	X X		X	X
42	447480-454	CONTROL PANEL (DARK WINE)	4	PB	X		X	X
	447480-455	CONTROL PANEL (GLOSS BLACK)	4	PB	X			
	447480-456	CONTROL PANEL (DARK WINE)	4	PB			X	
	447480-457	CONTROL PANEL (DARK WINE)	4	PB				X
43	QRO-1246	FACE PLATE WITH REFLECTOR	0	SU	X X X X X	X	X	X X

LISPTE3

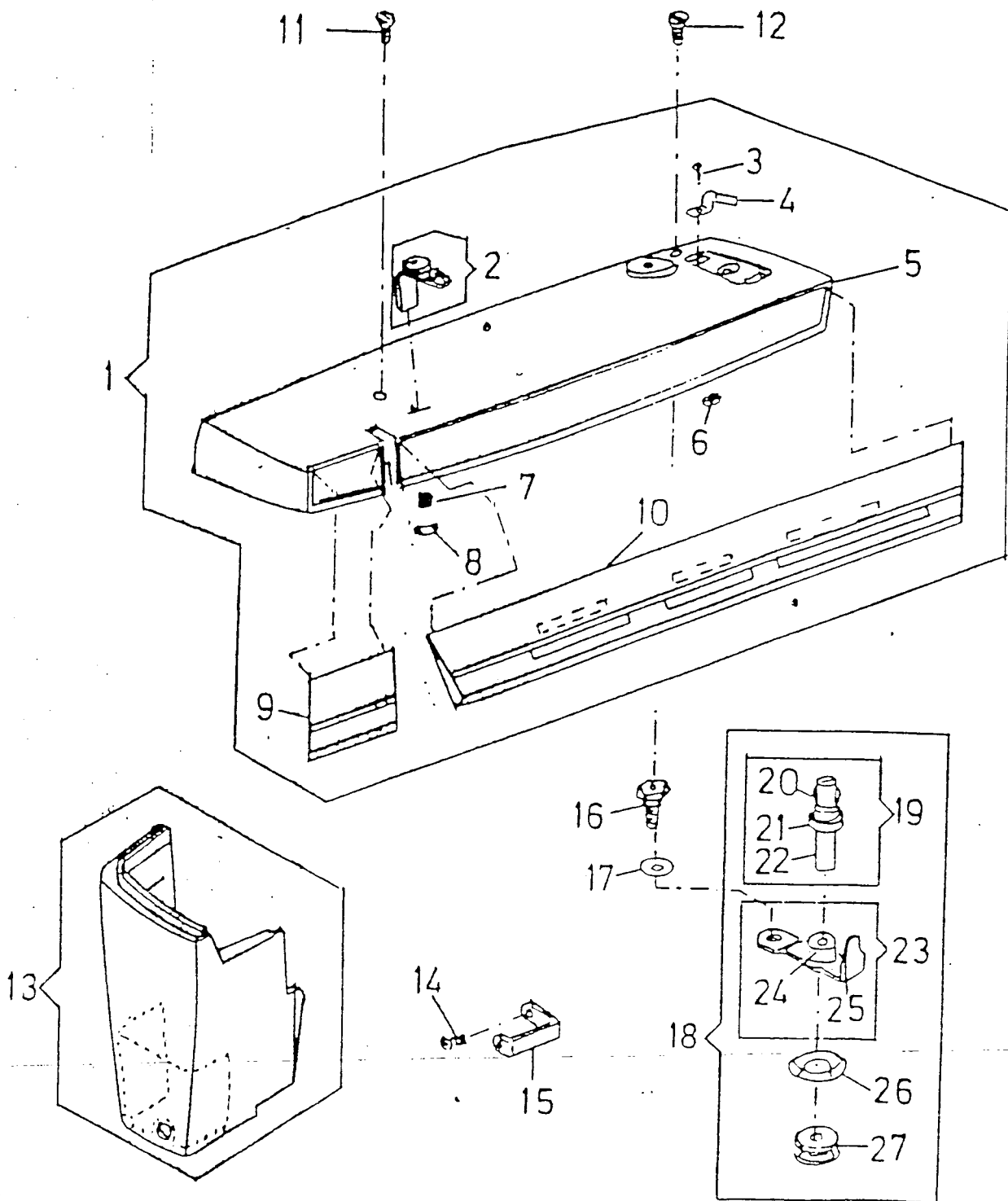
ARM SHAFT DRIVE

T	C	MODELS					2	3	3
Y	L	9	9	9	9	9	4	1	1
P	A	7	7	6	6	6	0	3	0
E	S	4	2	8	6	4	4	0	2
S	R	R	R	R	R	R	R	R	R

REF. PART NBR

DESCRIPTION

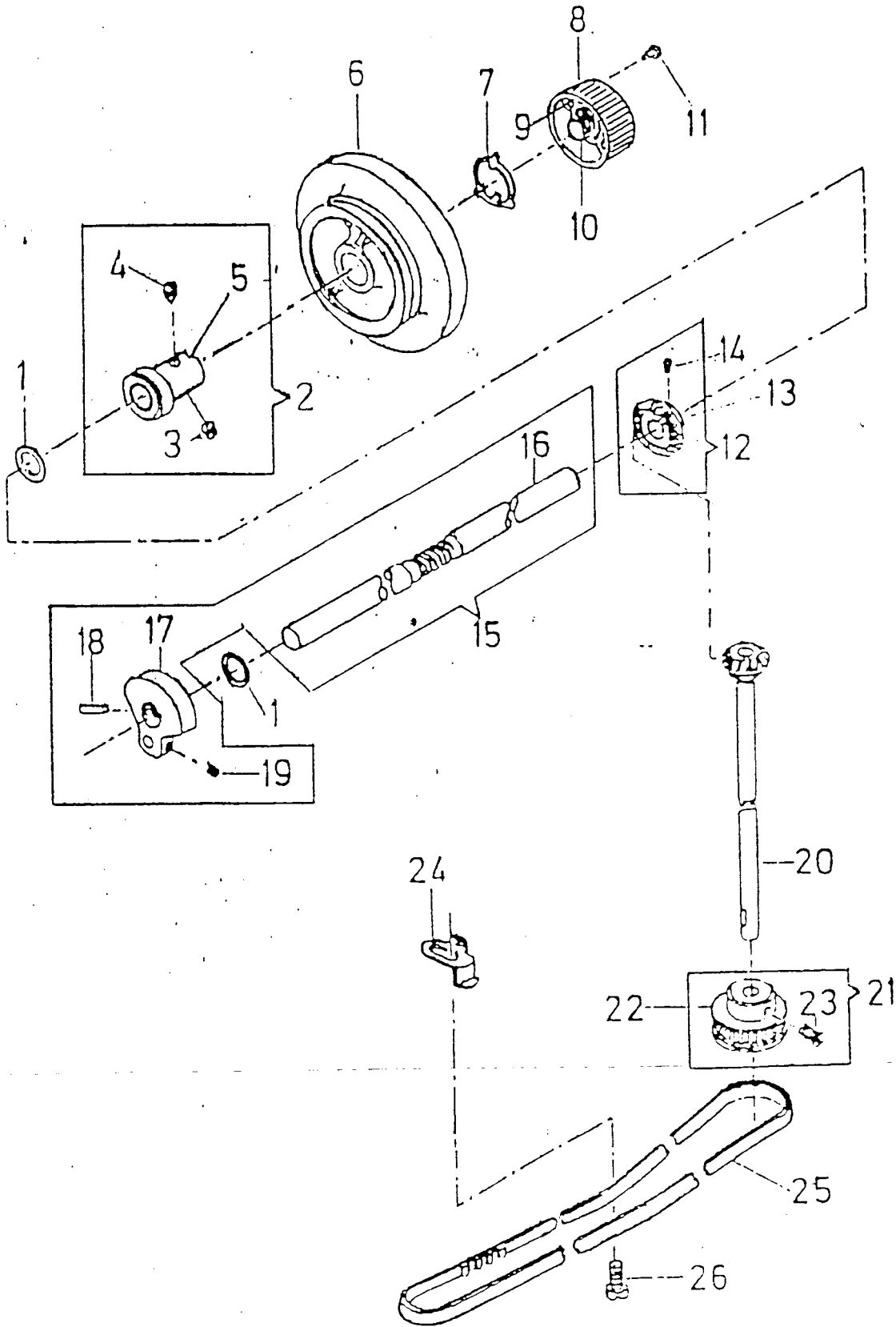
REF.	PART NBR	DESCRIPTION	T	C	MODELS	2	3	3
✓ 1	319764	NEEDLE BAR CRANK WASHER	4	PB	X X X X X X X X X			
✓ 2	044679-000	CLAMP STOP MOTION FLANGED BUSHING	4	XB	X X X X X X X X X			
✓ 3	141916-833	C.S.M. FLANGED BUSHING SET SCREW	4	TO	X X X X X X X X X			
4	141915-833	C.S.M. FLANGED B. SET SCREW POSI.	4	TO	X X X X X X X X X			
5	44422	CLAMP STOP MOTION BUSHING	4	XB	X X X X X X X X X			
✓ 6	44463-458	HAND WHEEL (CAST IRON)	4	HG	X X X X X X X X X			
7	44464	HAND WHEEL CLAMPING WASHER	4	TQ	X X X X X X X X X			
✓ 8	44468-458	CLAMP STOP MOTION CLAMP	4	PB	X X X X X X X X X			
✓ 9	44502	CLAMP STOP MOTION INSERT	4	TO	X X X X X X X X X			
✓ 10	44469-900	CLAMP STOP MOTION INSERT	2	TO	X X X X X X X X X			
✓ 11	141914-892	STOP SCEW	2	TO	X X X X X X X X X			
12	319695	ARM SHAFT BEVEL GEAR COMPLETE	4	XM	X X X X X X X X X			
13	44455 <i>NA</i>	BEVEL GEAR	4	XM	X X X X X X X X X			
14	354813-451	POSITIONING SET SCREW	4	XM	X X X X X X X X X			
15	531817	ARM SHAFT HORIZONTAL COMPLETE	0	SU	X X X X X X X X X			
16	445776	ARM SHAFT HORIZONTAL	2	TO	X X X X X X X X X			
17	353576-900	ARM SHAFT HORIZONTAL WHIPPLETREE	4	HG	X X X X X X X X X			
18	445175	POSITIONING PIN	4	PT	X X X X X X X X X			
19	354105-833	SET SCREW	2	TO	X X X X X X X X X			
20	37231	ARM SHAFT (UPRIGHT) ASS'Y	4	XM	X X X X X X X X X			
21	445543	ARM SHAFT BELT DRIVE PULLEY ASS'Y	4	XB	X X X X X X X X X			
22	445542-900	ARM SHAFT BELT DRIVE PULLEY	4	XB	X X X X X X X X X			
23	354906-451	ARM SHAFT BELT DRIVE SCREW	4	XB	X X X X X X X X X			
24	446736	ROTATING HOOK DRIVE BELT ADJUSTER	4	TQ	X X X X X X X X X			
25	37977	ROTATING HOOK DRIVE BELT	4	PT	X X X X X X X X X			
26	139909-819	ROTATING HOOK DRIVE BELT SCREW	4	TF	X X X X X X X X X			



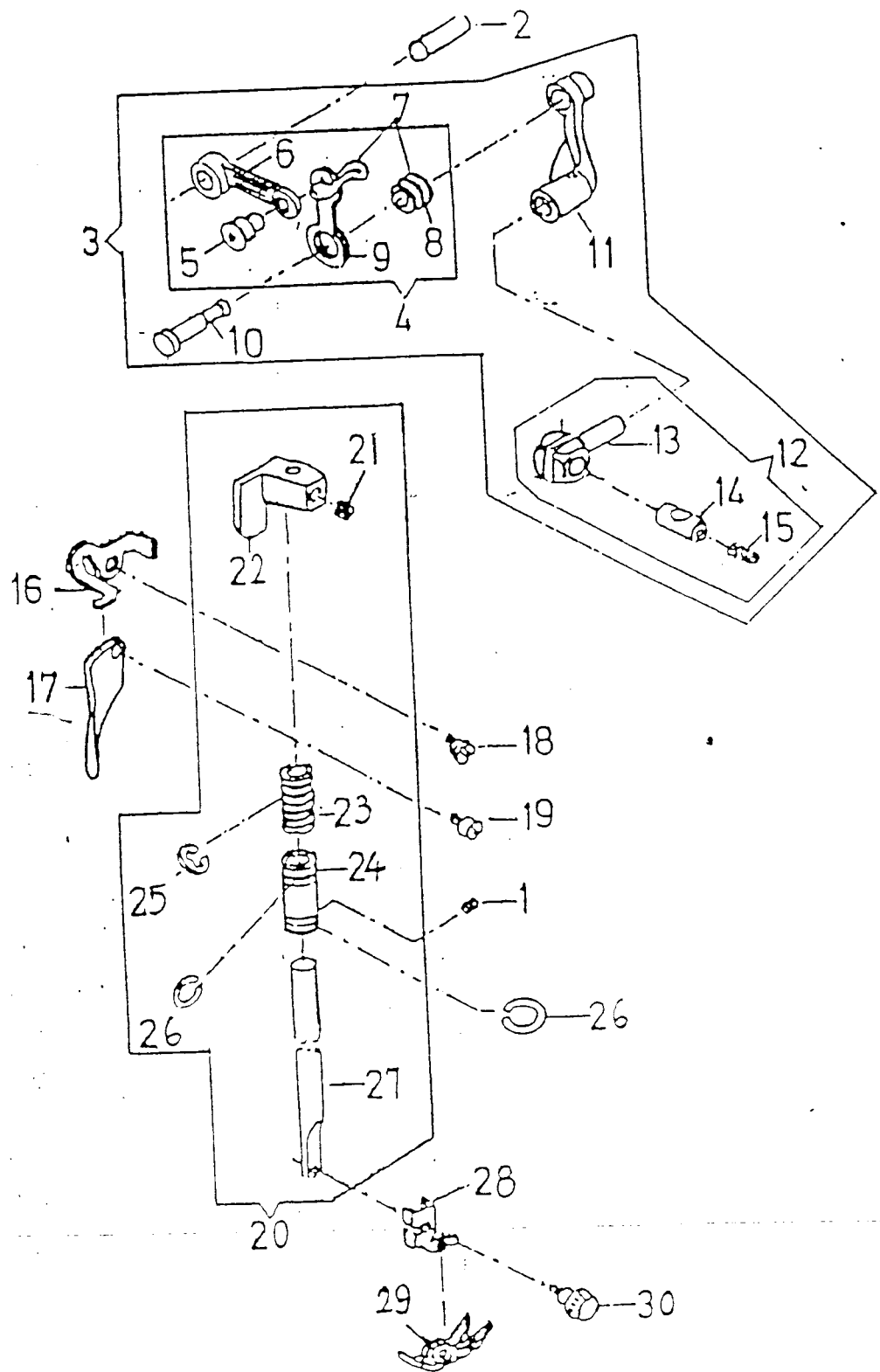
ARM TOP COVER & FACE PLATE

44 445579-903 FACE PLATE (LIGHT BUFF)
45 446067-900 LIGHT REFLECTOR
46 141844-451 MOUNTING SCREW
47 141844-819 MOUNTING SCREW
48 446002-819 FACE PLATE BRACKET

4 XB X X X X X X X X
4 PT X X X X X X X X
4 TF X X X X X X X X
4 TF X X X X X X X X
4 TQ X X X X X X X X



ARM SHAFT DRIVE



PRESSER BAR & THREAD TAKE UP

7257

LISPTES

PRESSER BAR & THREAD TAKE-UP

T C	MODELS							
Y L	9	9	9	9	9	4	1	1
P A	7	7	6	6	6	0	3	0
E S	4	2	8	6	4	4	0	2
S	R	R	R	R	R	R	R	R

REF. PART NBR

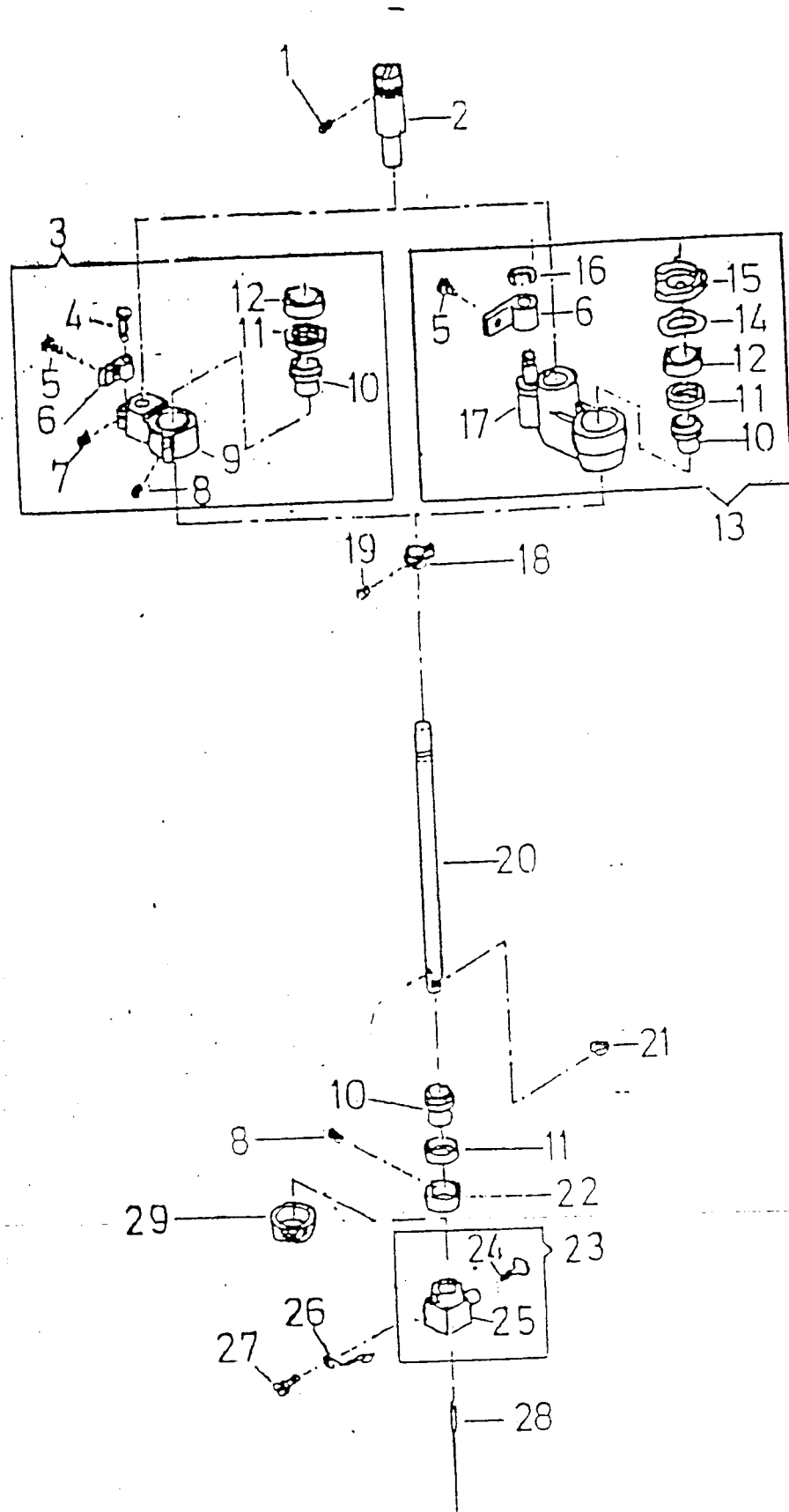
DESCRIPTION

1	141803-830	TH.TAKE LEVER LINK H.S. SET SCREW	4	TO	X	X	X	X	X	X	X	X
2	446169	TH.TAKE LEVER LINK HINGE STUD	4	TO	X	X	X	X	X	X	X	X
3	QRO-1229	THREAD TAKE-UP LEVER ASS'Y COMPL.	0	SU	X	X	X	X	X	X	X	X
4	445672	THREAD TAKE-UP LEVER ASS'Y	0	SU	X	X	X	X	X	X	X	X
5	37995-900	THREAD TAKE-UP LEVER ASS'Y RIVET	2	TO	X	X	X	X	X	X	X	X
6	445597-900	TH.TAKE LEVER LINK HINGE	4	XB	X	X	X	X	X	X	X	X
7	445671-900	TH.TAKE LEVER LINK HINGE ASS'Y	0	SU	X	X	X	X	X	X	X	X
8	445658-900	TH.TAKE LEVER LINK HINGE BUSHING	4	XB	X	X	X	X	X	X	X	X
9	445670-900	THREAD TAKE-UP LEVER	4	XB	X	X	X	X	X	X	X	X
10	445599	THREAD TAKE-UP LEVER PIN	4	TO	X	X	X	X	X	X	X	X
11	446357	NEEDLE BAR CONNECTING LINK	4	XB	X	X	X	X	X	X	X	X
12	QRO-1118	NEEDLE BAR CONECTING STUD H. ASS'Y	0	SU	X	X	X	X	X	X	X	X
13	37930	NEEDLE BAR CONECTING STUD	4	XM	X	X	X	X	X	X	X	X
14	37931	NEEDLE BAR CONECTING STUD H. PIN	4	XM	X	X	X	X	X	X	X	X
15	141916-833	NEEDLE BAR CLAMPING SCREW	2	TO	X	X	X	X	X	X	X	X
16	445925-451	TENSION RELEAISING LEVER	4	TQ	X	X	X	X	X	X	X	X
17	356007-453	PRESSER BAR LIFTER	4	PB	X	X	X	X	X	X	X	X
18	354543-451	TENSION RELEAISING LEVER H. SCREW	2	TO	X	X	X	X	X	X	X	X
19	354860-451	PRESSER BAR LIFTER HINGE SCREW	2	TO	X	X	X	X	X	X	X	X
20	QRO-996	PRESSER BAR ASS'Y COMPLETE	0	SU	X	X	X	X	X	X	X	X
21	141936-833	PRESSER BAR GUI. BRACKET SET SCREW	2	TO	X	X	X	X	X	X	X	X
22	353213	PRESSER BAR GUIDE BRACKET	4	AL	X	X	X	X	X	X	X	X
23	353214	PRESSER BAR SPRING	4	RE	X	X	X	X	X	X	X	X
24	QRO-1186	PRESSER BAR BUSHING	4	TO	X	X	X	X	X	X	X	X
25	353215	PRESSER BAR SPRING RETAINING RING	4	TQ	X	X	X	X	X	X	X	X
26	445948	PRESSER BAR SPRING RETAINING RING	4	TQ	X	X	X	X	X	X	X	X
27	445946	PRESSER BAR	2	TO	X	X	X	X	X	X	X	X
✓ 28	155964-000	PRESSER BAR FOOT SHANK	4	XM	X	X	X	X	X	X	X	X
✓ 29	446371	PRESSER BAR FOOT PLATE	4	XB	X	X	X	X	X	X	X	X
30	354135- 451	PRESSER BAR THUMB SCREW	2	TO	X	X	X	X	X	X	X	X

452

From the library of: Diamond Needle Corp

11



LISPTE6

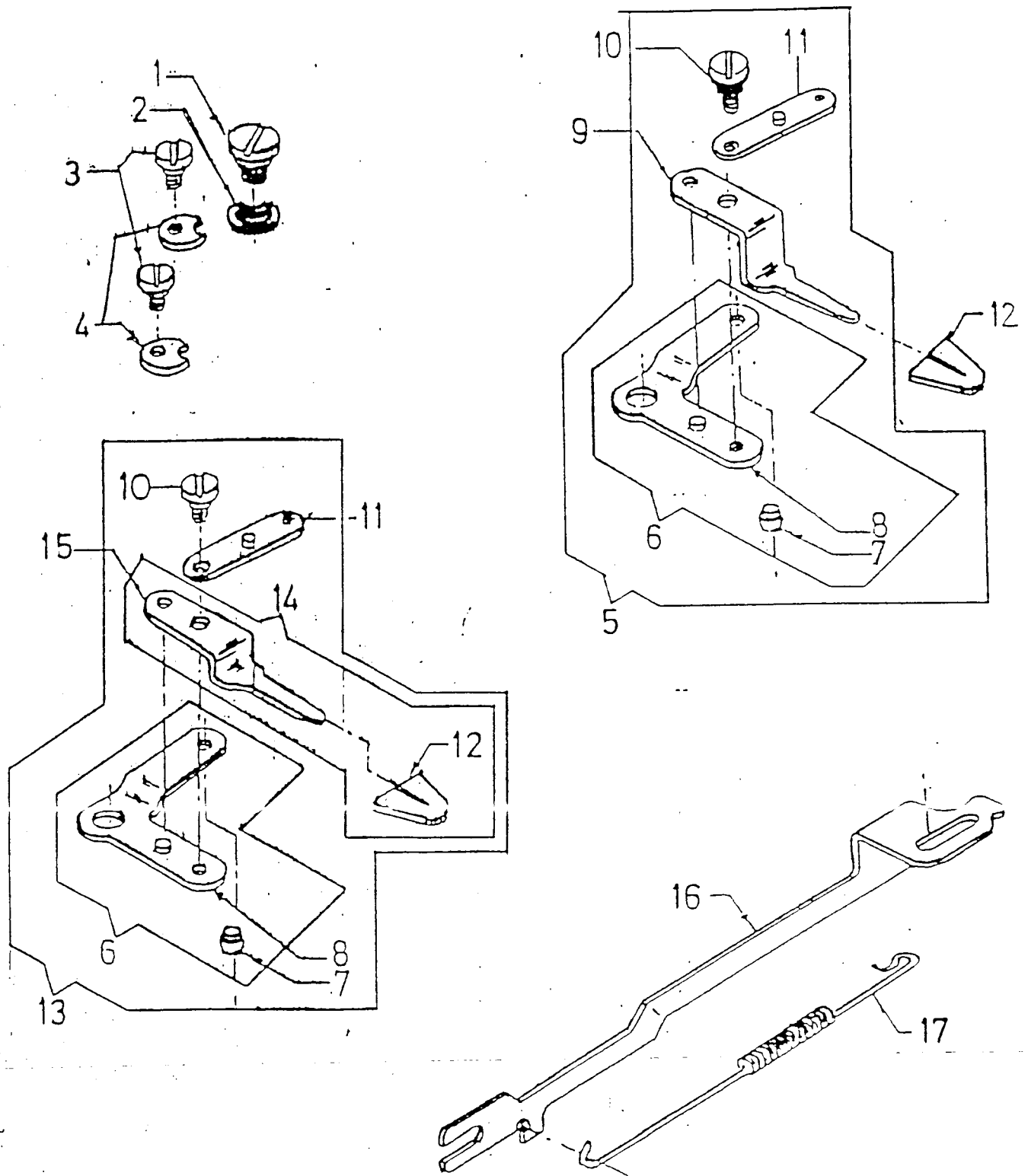
NEEDLE BAR

T C	MODELS	2	3	3
Y L	9 9 9 9	9	4	1 1
P A	7 7 6 6	6	0	3 0
E S	4 2 8 6	4	4	0 2
S	R R R R	R	R	R R

REF. PART NBR

DESCRIPTION

REF. PART NBR	DESCRIPTION	T C	MODELS	2	3	3
1 141918-833	NEEDLE BAR VIBRAT.B.H.P. SET SCREW	2 TO	X X X X	X	X	X X
2 445124	NEEDLE BAR VIBRATING B.H.PIN	2 TO	X X X X	X	X	X X
3 37945	NEEDLE BAR VIBRATING BRACKET COMP.	0 SU	X X X X	X	X	X X
4 37935	NEEDLE BAR D. ARM HINGE BKT. H.PIN	2 TO	X X X X	X	X	X X
5 141844-819	NEEDLE BAR D. ARM HINGE BKT. SCREW	4 TF	X X X X	X	X	X X
6 37934	NEEDLE BAR D. ARM HINGE BRACKET	4 ST	X X X X	X	X	X X
7 141913	NEEDLE BAR D. ARM HINGE BKT. SCREW	4 TF	X X X X	X	X	X X
8 141803-830	NEEDLE BAR DRIVING SET SCREW	4 TO	X X X X	X	X	X X
9 37944	NEEDLE BAR VIBRATING BRACKET	4 XB	X X X X	X	X	X X
10 446355	NEEDLE BAR BALL BUSHING	2 TO	X X X X	X	X	X X
11 507379	ADJUSTING BUSHING	2 TO	X X X X	X	X	X X
12 37928	ADJUSTING BUSHING	2 TO	X X X X	X	X	X X
13 353520	NEEDLE BAR VIBRATING BRACKET COMP.	0 SU	X X X X	X	X	X X
14 502354	NEEDLE BAR BALL BUSHING FR. WASHER	4 XB	X X X X	X	X	X X
15 422320	NEEDLE BAR BALL BUSHING RETAI.RING	4 XB	X X X X	X	X	X X
16 507343	RETAINING RING	4 XB	X X X X	X	X	X X
17 422404	NEEDLE BAR VIBRATING BRACKET	4 XB	X X X X	X	X	X X
18 37947-901	NEEDLE BAR VIBRATING BKT.H. COLLAR	4 ST	X X X X	X	X	X X
19 141913	NEEDLE BAR VIBRATING BKT.H. SCREW	4 TF	X X X X	X	X	X X
20 445793	NEEDLE BAR	2 TO	X X X X	X	X	X X
21 37943	NEEDLE BAR GIB	4 ST	X X X X	X	X	X X
22 446361	NEEDLE BAR BAL BUSHING ADJ. SCREW	2 TO	X X X X	X	X	X X
23 353631	NEEDLE CLAMP COMPLETE	0 SU	X X X X	X	X	X X
24 QRO-874	NEEDLE THUMB SCREW	2 TO	X X X X	X	X	X X
25 353630	NEEDLE CLAMP BODY	2 TO	X X X X	X	X	X X
26 353629	NEEDLE CLAMP THREAD GUIDE	4 RE	X X X X	X	X	X X
27 141920-451	NEEDLE CLAMP TH GUIDE STOP SCREW	4 TF	X X X X	X	X	X X
28 2045	NEEDLE (SIZE NBR 14)	4 XB	X X X X	X	X	X X
29 44473	NEEDLE BAR ADJUSTING SCREW	2 TO	X X X X	X	X	X X



From the library of: Diamond Needle Corp

BIGHT AMPLITUDE

LISPTE7

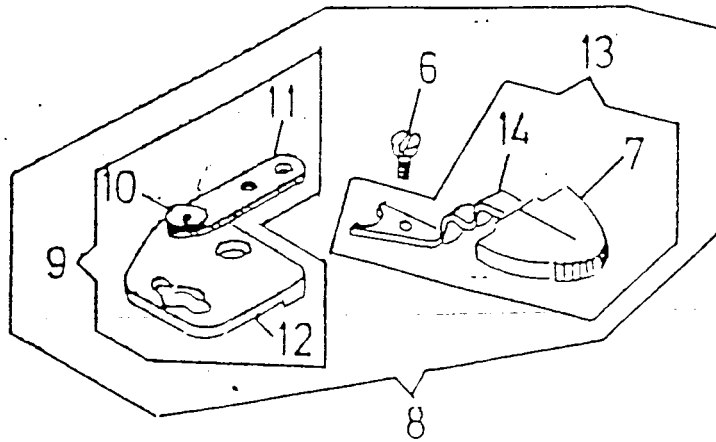
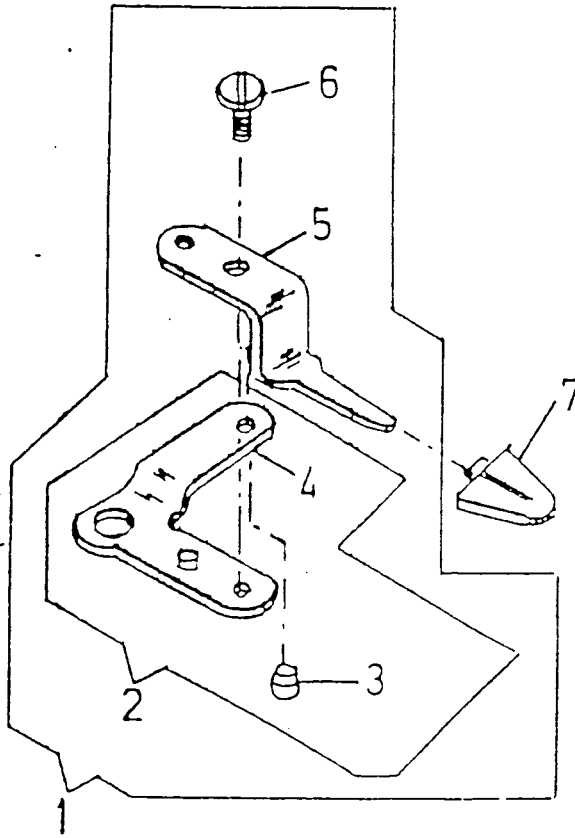
BIGHT AMPLITUDE

T C	MODELS	2	3	3
Y L	9 9 9 9 9	4	1	1
P A	7 7 6 6 6	0	3	0
E S	4 2 8 6 4	4	0	2
S	R R R R R R R R			

REF. PART NBR

DESCRIPTION

REF. PART NBR	DESCRIPTION	T C	MODELS	2	3	3
1 354543-451	BIGHT AMPLITUDE CONTROL LE. SCREW 2	TO	X X X X X X X X			
2 444938	BIGHT AMPLITUDE CONTROL LE. WASHER 4	XE	X X X X X X X X			
3 354592-451	BIGHT AMPLITUDE CO. LE. STOP SCREW 4	TF	X X X X X X X X			
4 446904	BIGHT AMPLITUDE CO. LEVER STOP 4	TQ	X X X X X X X X			
5 531987	BIGHT AMPLITUDE CO. LEVER ASS'Y. 0	SU	X			
6 37246	BIGHT AMPLITUDE C. LEVER LINK ASS'Y 0	SU	X X X X X X X X			
7 37247-900	BIGHT AMPLITUDE CONTROL L. LINK PIN 2	TO	X X X X X X X X			
8 37245-900	BIGHT AMPLITUDE CONTROL LEVER LINK 4	TQ	X X X X X X X X			
9 531974	BIGHT AMPLITUDE CONT. LEVER 4	TQ	X X X X X X X X			
10 139866-451	BIGHT AMPLITUDE CONT. LEVER SCREW 2	TO	X X X X X X X X			
11 44556	BUTTONHOLER BIGHT CONT. LEVER LINK 4	TQ	X X X X X X X X			
12 445585-911	BUTTONHOLER BIGHT CONT. LEVER KNOB 4	PB	X X X X X X X X			
13 445587-457	BIGHT AMPL. CONT. LEVER ASS'Y W/KNOB 0	SU	X X X X X X X X			
14 445586-458	BIGHT AMPLITUDE CONTROL L. W/KNOB 0	SU	X X X X X X X X			
15 445584-451	BIGHT AMPLITUDE CONTROL LEVER 4	TQ	X X X X X X X X			
16 37933	NEEDLE DRIVING ARM 4	TQ	X X X X X X X X			
17 37942	NEEDLE DRIVING ARM TENSION SPRING 4	RE	X X X X X X X X			



NEEDLE POSITION & BIGHT AMPLITUDE

LISPTE8

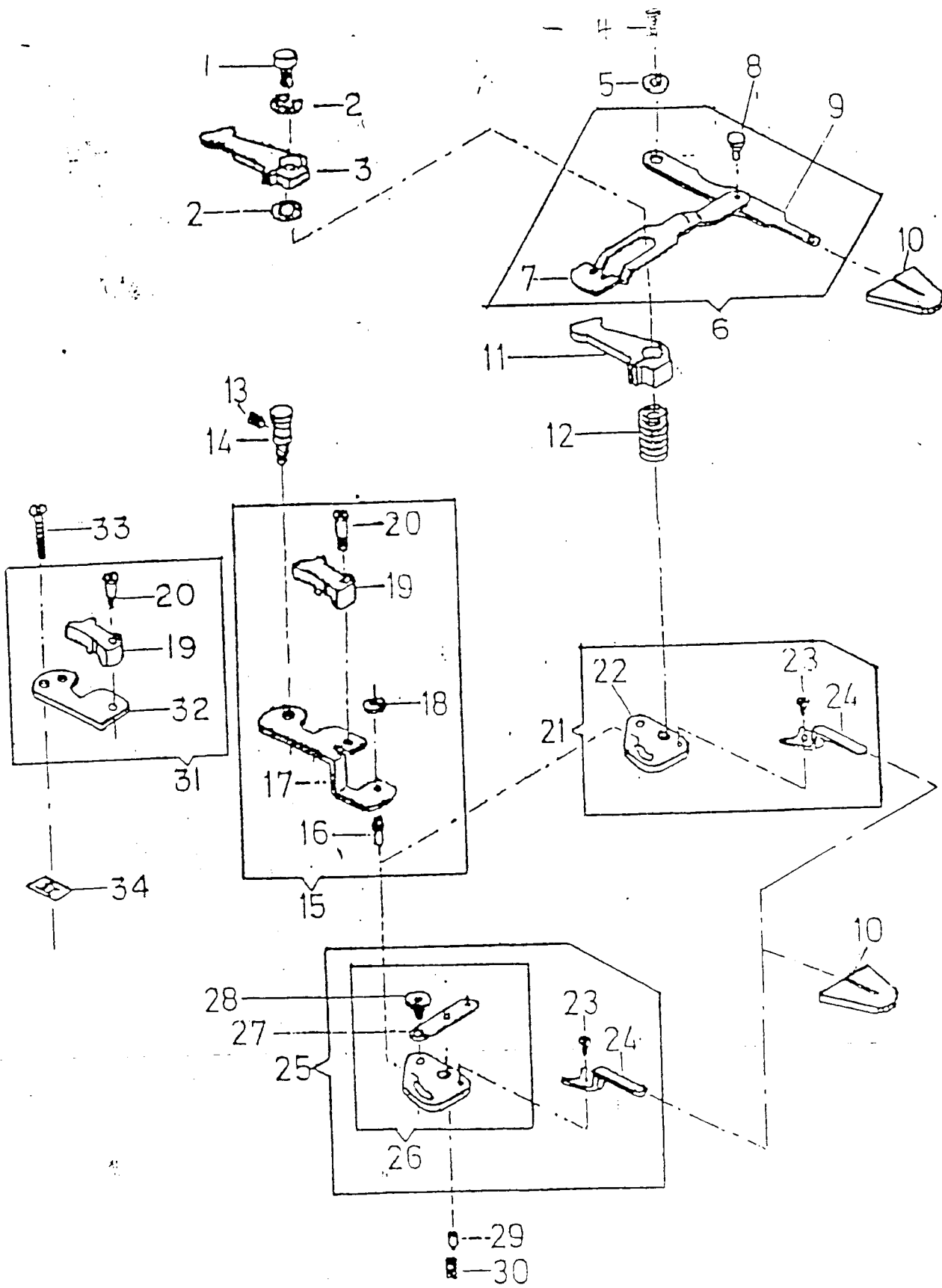
NEEDLE POSITION & BIGHT AMPLITUDE

T	C	MODELS					2	3	3
Y	L	9	9	9	9	9	4	1	1
P	A	7	7	6	6	6	0	3	0
E	S	4	2	8	6	4	4	0	2
S	R	R	R	R	R	R	R	R	R

REF.PART NBR

DESCRIPTION

1	531973	BIGHT AMPLITUDE CONT. LEVER ASS'Y	0	SU				X	X		X
2	37246	BIGHT AMPLITUDE CONT.L. LINK ASS'Y	0	SU	X	X	X	X	X	X	X
3	37247-900	BIGHT AMPLITUDE CONT. L. LINK PIN	2	TO	X	X	X	X	X	X	X
4	37245	BIGHT AMPLITUDE CONT. LEVER LINK	4	TQ	X	X	X	X	X	X	X
5	531974	BIGHT AMPLITUDE CONTROL LEVER	4	TQ			X	X	X		X
6	141913	BIGHT AMPLITUDE CONT. LEVER SCREW	4	TF			X	X			X
7	445585-911	BIGHT AMPLITUDE CONT. LEVER KNOB	4	PB	X	X	X	X	X	X	X
8	445624-454	NEEDLE POSITION SEL.LEV. BKT.ASS'Y	0	SU	X	X			X	X	
9	44628	NEEDLE POSITION SEL. LEV.BKT ASS'Y	0	SU	X	X	X		X	X	
10	44560-900	NEEDLE POSITION RIVET	4	TO	X	X	X		X	X	
11	44556	NEEDLE POSITION LEVER LINK	4	TQ	X	X	X		X	X	
12	37953	NEEDLE POSITION LEVER BRACKET	4	ST	X	X	X	X	X	X	X
13	445589-454	NEEDLE POSITION SELC.LEVER W/KNOB	0	SU	X	X			X	X	
14	445588-451	NEEDLE POSITION SELECTOR LEVER	4	TQ	X	X			X	X	



LISPT9

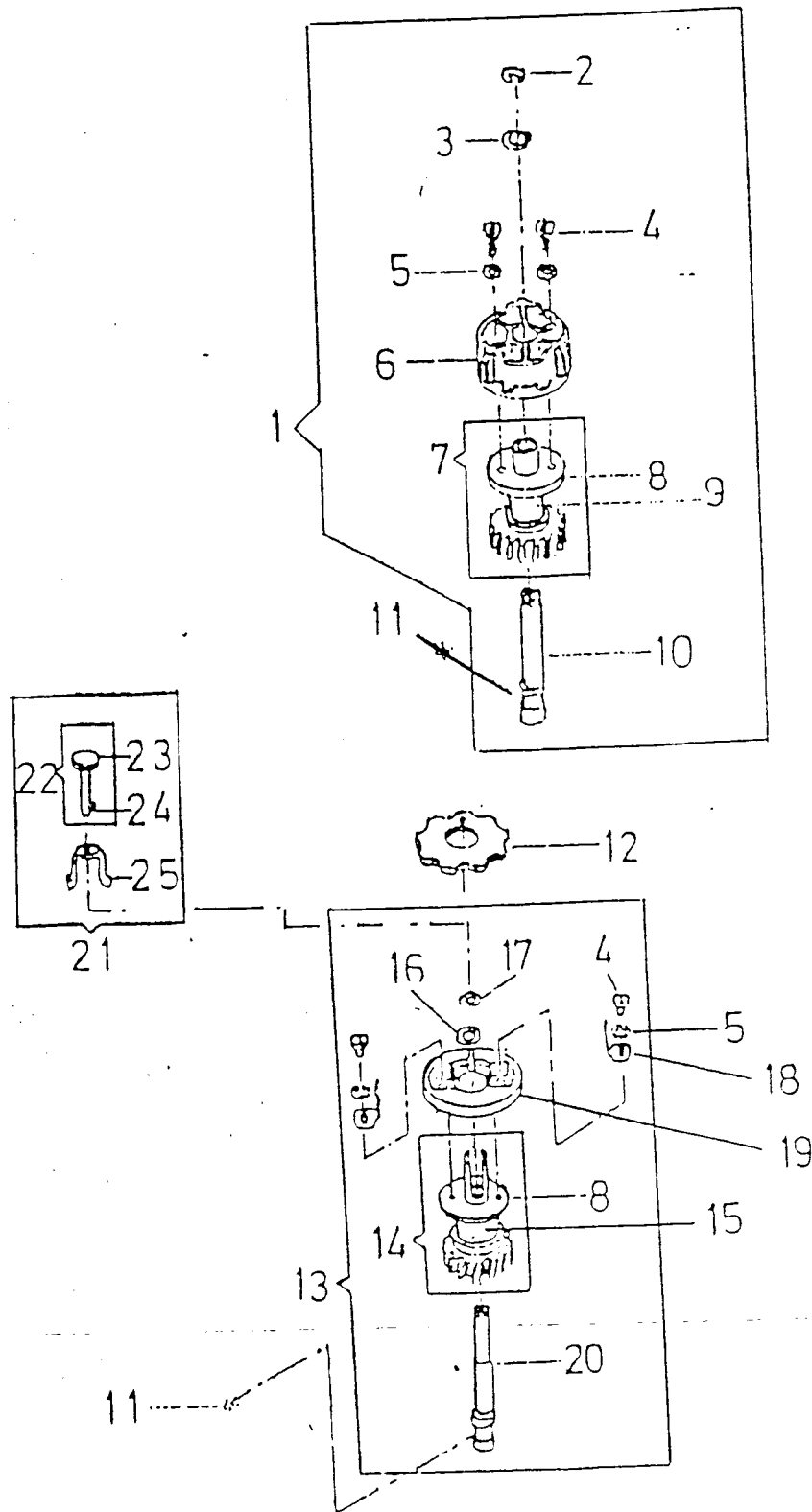
NEEDLE POSITION & DISC SELECTOR

T	C	MODELS					2	3	3
Y	L	9	9	9	9	9	4	1	1
P	A	7	7	6	6	6	0	3	0
E	S	4	2	8	6	4	4	0	2
S		R	R	R	R	R	R	R	R

REF. PART NBR

DESCRIPTION

1	QRO-1011	DISC FOLLOWER STUD	4	TO	X	X	X	X		X	X	X
2	44371	DISC FOLLOWER RETAINING RING	4	XE	X	X	X	X	X	X	X	X
3	353574	DISC FOLLOWER	4	XB			X	X	X			X
4	354543-451	DISC SELECTOR HINGE SCREW	2	TO			X					
5	444938	DISC SELECTOR C. LEVER FRIC. WASHER	4	XE			X					
6	531985	DISC SELECTOR LEVER ASSEMBLY	0	SU			X					
7	44724-900	NEEDLE BAR DRIVING ARM SLIDE	4	TQ			X					
8	22238-997	DISC SELECTOR LEVER RIVET	2	TO			X					
9	531986-900	DISC SELECTOR LEVER	4	TQ			X					
10	445585-911	DISC SELECTOR LEVER KNOB	4	PB	X	X	X	X	X	X	X	X
11	445646	DISC FOLLOWER	4	XB	X	X	X			X	X	
12	44886	DISC FOLLOWER SPRING	4	RE			X					
13	141803-803	NEEDLE BAR D. ARM SL. BKT SETSCREW	4	TO	X	X	X	X	X	X	X	X
14	37941	NEEDLE BAR D. ARM SL. BKT H. STUD	2	TO	X	X	X	X		X	X	X
15	QRO-182	NEEDLE BAR DRIVING ARM BKT ASS'Y	0	SU	X	X	X	X		X	X	X
16	44471	NEEDLE POS. LEVER FOLL. SCREW STUD	2	TO	X	X	X	X		X	X	X
17	37939	NEEDLE BAR DR. ARM SLIDE BRACKET	4	TQ	X	X	X	X		X	X	X
18	53641-819	NEEDLE POS. LEVER FOLL. SCREW NUT	4	TO	X	X	X	X		X	X	X
19	447475-000	NEEDLE BAR DRIVING ARM SLIDE	4	XB	X	X	X	X	X	X	X	X
20	354669-451	NEEDLE BAR DRI. ARM SLID. BKT SCREW	2	TO	X	X	X	X	X	X	X	X
21	531971	NEEDLE POS. SELC. LEVER BKT. COMPLO	0	SU			X	X				X
22	37953	NEEDLE POS. SELECTOR LEVER BRACKET	4	XB	X	X	X	X		X	X	X
23	141913	NEEDLE POS. S. LEVER BRACKET SCREW	4	TF	X	X	X	X		X	X	X
24	531972	NEEDLE POS. SEL. LEVER W/KNOB	4	TQ			X	X				X
25	531968	NEEDLE POS. SELECTOR LEVER	0	SU			X					
26	44628	NEEDLE POS. S. LEVER BRACKET ASS'Y	0	SU	X	X	X			X	X	
27	44556	BUTTONHOLER NEEDLE POS. LEVER BKT.	4	TQ	X	X	X			X	X	
28	44560-900	NEEDLE POS. S. LEVER BRACKET RIVET	2	TO	X	X	X			X	X	
29	319690	NEEDLE POS. BKT POSITIONING PIN	4	TO	X	X	X	X		X	X	X
30	444800	NEEDLE POS. BKT POSITIONING PIN	4	RE	X	X	X	X		X	X	X
31	QRO-1055	NEEDLE BAR D. ARM SLIDE BKT ASS'Y	0	SU						X		
32	SK-2258	NEEDLE BAR DRIV. ARM SLIDE BRACKET	4	XB						X		
33	354975-452	NEEDLE BAR DRIVING ARM S. SCREW	4	TF						X		
34	356006	NEEDLE POSITION DR. ARM SLIDE BKT.	4	XB						X		



CAM STACK

LISPT10

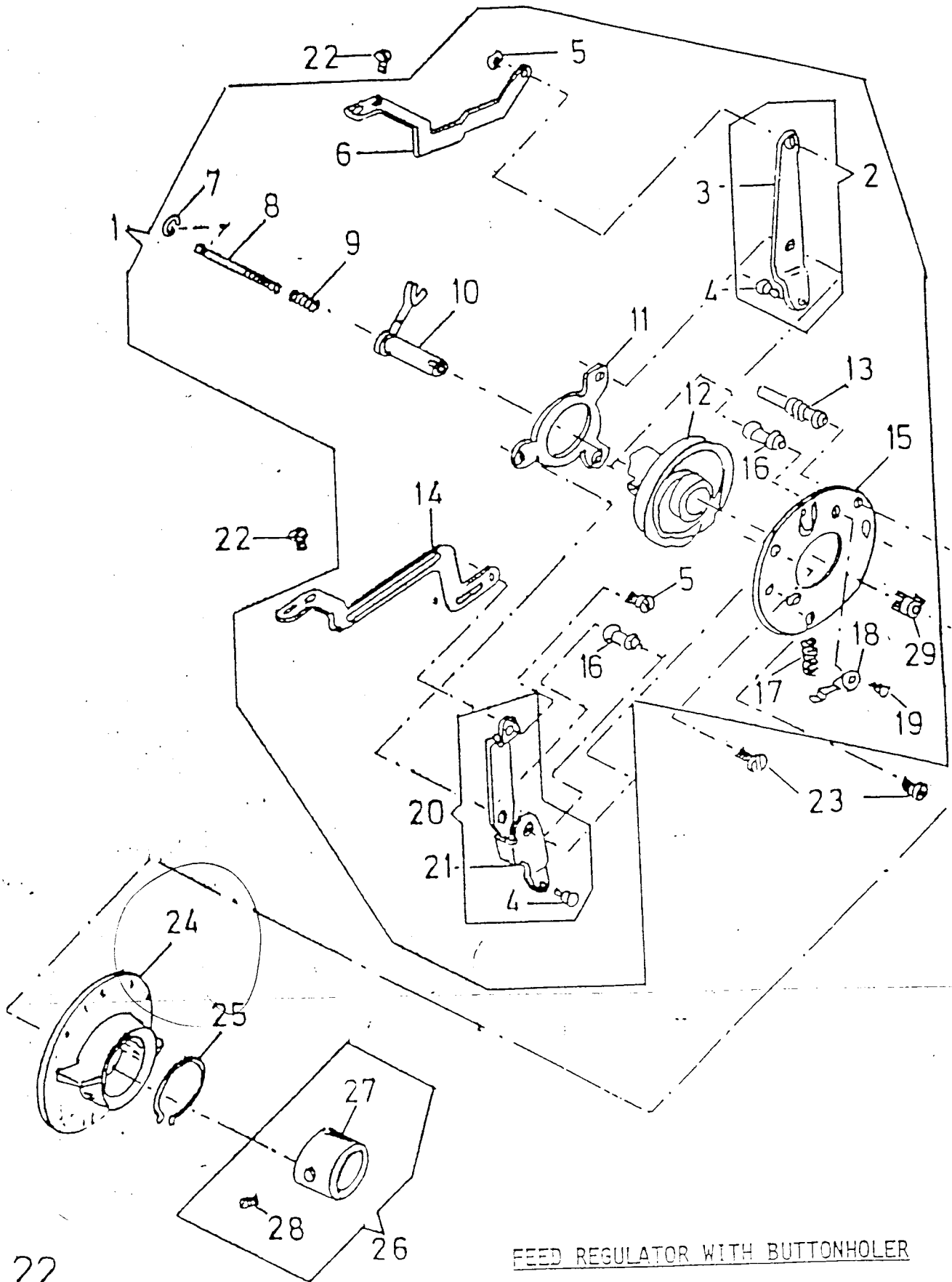
CAM STACK

T C	MODELS	2	3	3
I L	9 9 9 9 9	4	1	1
P A	7 7 6 6 6	0	3	0
E S	4 2 8 6 4	4	0	2
S	R R R R R	R	R	R

REF. PART NBR.

DESCRIPTION

REF. PART NBR.	DESCRIPTION	T C	MODELS	2	3	3
1 QRO-1250	DISC DRIVING GEAR SHAFT COMPLETE	0	SU	X		
444919	DISC DRIVING GEAR SHAFT COMPLETE	0	SU		X X	X
2 444921	DISC DRIVING GEAR RETAINING RING	4	TQ	X X X		X
3 444923	DISC DRIVING GEAR SHAFT WASHER	4	TQ	X X X		X
4 141920-451	DISC STACK POSITIONING SCREW	4	TF	X X X X X	X X X	
5 446138	DISC STACK SCREW WASHER	4	TQ	X X X X X	X X X	
6 444909	DISC STACK	4	PB		X X	X
444924	DISC STACK	4	PB		X	
7 - 444918 445754	DISC DRIVING GEAR ASS'Y.	0	SU		X X X	X
8 444914-900	DISC DRIVING GEAR PLATE	4	TQ	X X X X X	X X X	
9 444917-900	DISC DRIVING GEAR	4	PT		X X X	X
444920	DISC DRIVING GEAR INSERT	2	TO		X X X	X
10 444922	DISC DRIVING GEAR SHAFT	4	TO		X X X	X
11 141803-830	DISC DRIVING GEAR SHAFT SET SCREW	4	TO	X X X X X	X X X	
12 276301	DISC # 1 ZIG-ZAG STITCH	4	PB	X X		X X
✓ 13 444915-900	DISC DRIVING GEAR COMPLETE	0	SU	X X		X X
14 444911	DISC DRIVING GEAR ASS'Y.	0	SU	X X		X X
15 444910-900	DISC DRIVING GEAR	4	PT	X X		X X
444913-900	DISC DRIVING GEAR INSERT	2	TO	X X		X X
16 444903	DISC RELEASING BKTRETAINING WASHER	4	TQ	X X		X X
17 153475	DISC DRIVING GEAR RETAINING RING	4	TQ	X X		X X
18 444908	DISC RETAINING SPRING	4	TQ	X X		X X
19 445647	DISC POSITIONING ADJ. SPACER	4	PB	X X		X X
20 QRO-1153	DISC DRIVING GEAR SHAFT	4	TO	X X		X X
✓ 21 444906	DISC RELEASING BRACKET STUD COMPL:	0	SU	X X		X X
22 444905-900	DISC RELEASING BKT STUD ASS'Y.	0	SU	X X		X X
23 444907-900	DISC RELEASING BKT. KNOB	2	TO	X X		X X
24 444904	DISC RELEASING BRACKET PIN	2	TO	X X		X X
25 444902-900	DISC RELEASING BRACKET	4	TO	X X		X X



From the library of: Diamond Needle Corp

FEED REGULATOR WITH BUTTONHOLER

LISPTE11

FEED REGULATOR WITH BUTTONHOLER

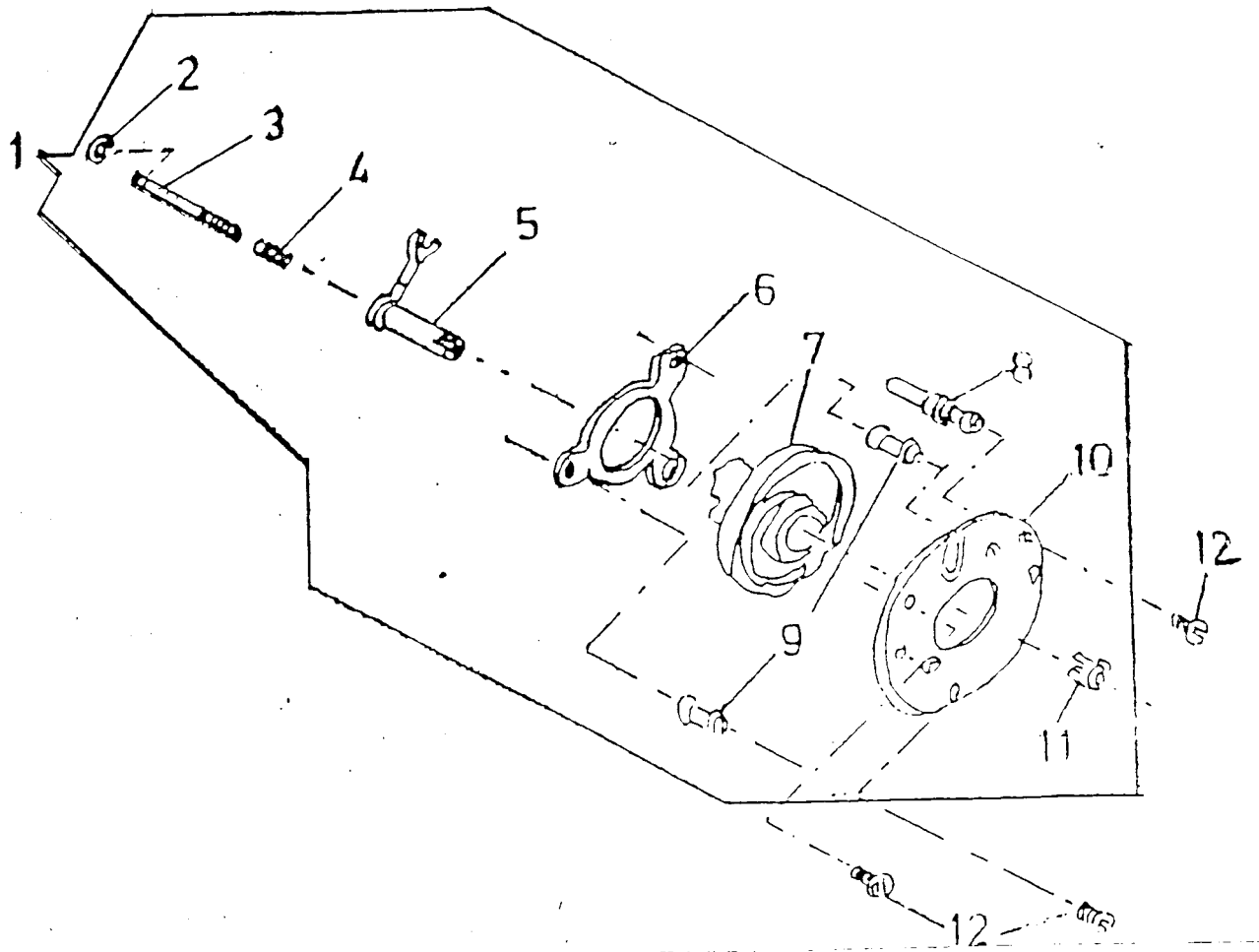
T	C	MODELS					2	3	3
I	L	9	9	9	9	9	4	1	1
P	A	7	7	6	6	6	0	3	0
E	S	4	2	8	6	4	4	0	2
S		R	R	R	R	R	R	R	R

REF. PART NBR.

DESCRIPTION

REF. PART NBR.	DESCRIPTION	T	C	MODELS	2	3	3
1 447663	BUTTONHOLER & FEED REG. CAM ASS'Y.0	SU	X	X X X			X X
2 445859	BUTTONHOLER NEEDLE P.CAM F. ASS'Y 0	SU	X	X X X			X X
3 44558	BUTTONHOLER NEEDLE P.CAM FOLLOWER 4	TQ	X	X X X			X X
4 445856	BUTTONHOLER NEEDLE P.CAM F.H. STUD4	TQ	X	X X X			X X
5 139866	B&H LEVER HINGE SCREW 2	TO	X	X X X			X X
6 44561	B&H NEEDLE POS. CAM F. LEVER LINK 4	TQ	X	X X X			X X
7 445721	FEED REG. POS. PIN RETAINING RING 4	TQ	X	X X X			X X
8 353446	FEED REGULATOR POSITIONING PIN 4	TO	X	X X X			X X
9 44612	FEED REGULATOR POSITIONING SPRING 4	RE	X	X X X			X X
10 446259	FEED REGULATOR POSITIONING PIN BKT4	XB	X	X X X			X X
11 44543-900	BUTTONHOLER & FEED REG C.DIAL PAWL4	TQ	X	X X X			X X
12 44539-901	BUTTONHOLER & FEED REGULATOR CAM 4	PB	X	X X X			X X
13 44606-900	BUTTONHOLER & F.REGULATOR SP. STUD4	TO	X	X X X			X X
14 44557	BUTTONHOLER BIGHT CAM F.LEVER LINK4	TQ	X	X X X			X X
15 44550-900	BUTTONHOLER & F.REGULATOR M. PLATE4	TQ	X	X X X			X X
16 44552-900	BUTTONHOLER & F.REGULATOR SP. STUD2	TO	X	X X X			X X
17 353495	BUTTONHOLER & F.REGULATOR P.SPRING4	RE	X	X X X			X X
18 44545	BUTTONHOLER & FEED REG C.DIAL PAWL4	TQ	X	X X X			X X
19 44546-900	BUTTONHOLER & F.REGULATOR P.RIVET 2	TO	X	X X X			X X
20 445858-900	BUTTONHOLER BIGHT C.CAM LEVER COMPO	SU	X	X X X			X X
21 445857-900	BUTTONHOLER BIGHT C.CAM LEVER 4	TQ	X	X X X			X X
22 141913	BUTTONHOLER BIGHT C.CAM LEVERSCREW4	TF	X	X X X			X X
23 139868-819	BUTTONHOLER MOUNTING COMPL.SCREW 4	TF	X	X X X	X	X	X X X X
24 44544-461	BUTTONHOLER & FEED REG C.DIAL 4	PB	X	X X X			X X
44544-462	BUTTONHOLER & FEED REG C.DIAL 4	PB			X	X	X X
25 445070	BUTTONHOLER & FEED REG C.DIAL RING4	XE	X	X X X X X X X X X X			X X X X X X X X
26 447661-001	FEED REVERSE KNOB ASS'Y 4	PT	X	X X X X X X X X X X			X X X X X X X X
27 447659-902	FEED REVERSE KNOB ASS'Y MACHINED 4	PT	X	X X X X X X X X X X			X X X X X X X X
447490-931	FEED REVERSE KNOB ASS'Y BLANK 4	PT	X	X X X X X X X X X X			X X X X X X X X
37912	FEED REVERSE KNOB INSERT 4	TO	X	X X X X X X X X X X			X X X X X X X X
447660-900	FEED REVERSE KNOB ASS'Y STOP PIN 2	TO	X	X X X X X X X X X X			X X X X X X X X
28 141913	FEED REVERSE KNOB SET SCREW 4	TF	X	X X X X X X X X X X			X X X X X X X X
29 445945-000	REVERSE FEED CAM FOLLOWER 4	XB	X	X X X X X X X X X X			X X X X X X X X

From the library of: Diamond Needle Corp



From the library of: Diamond Needle Corp

LISPTE12

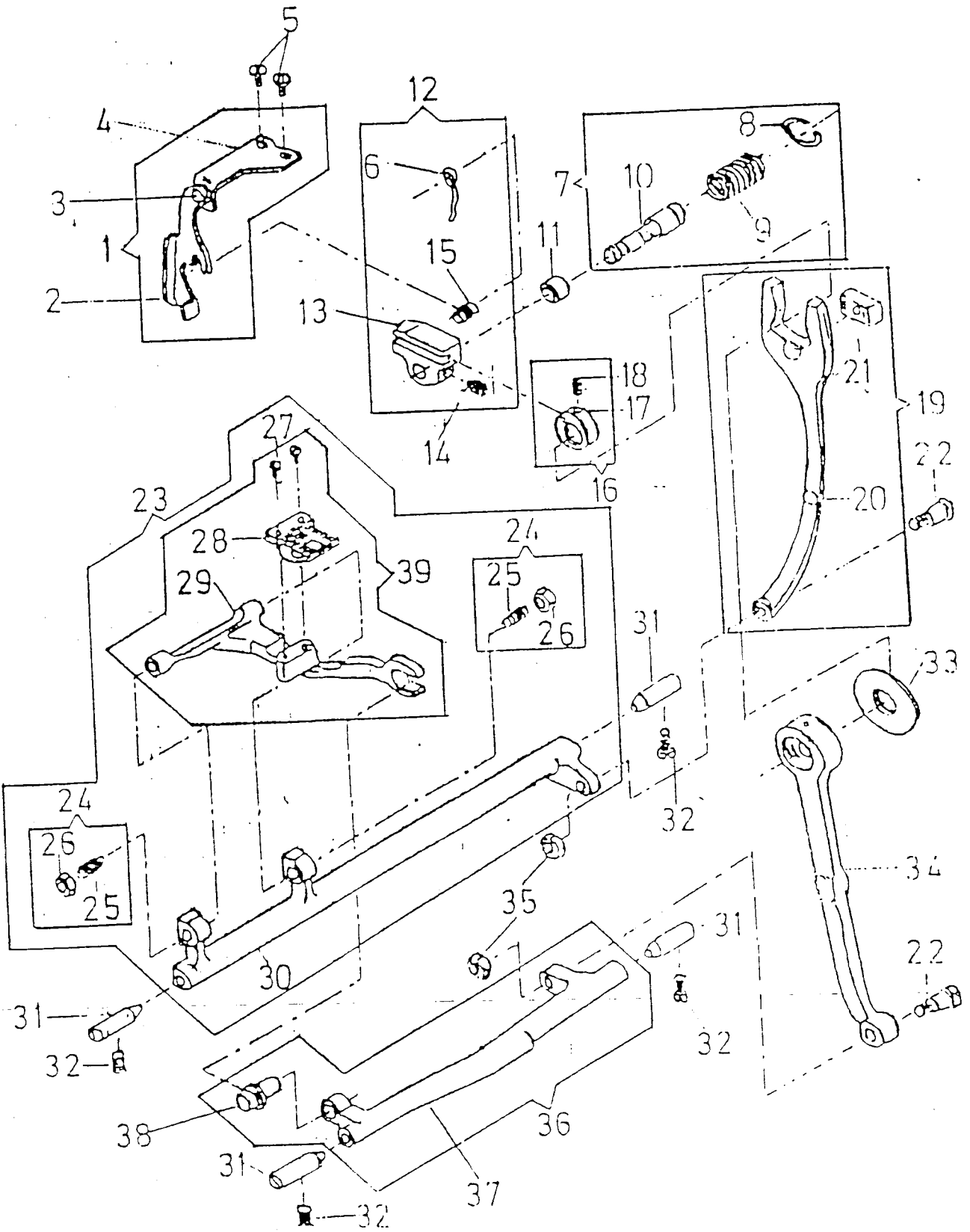
FEED REGULATOR

T C	MODELS	2	3	3
I L	9 9 9 9	9	4	1 1
P A	7 7 6 6	6	0	3 0
E S	4 2 8 6	4	4	0 2
S	R R R R	R	R	R R

REF. PART NBR.

DESCRIPTION

1	446279	FEED REGULATOR MECH. COMPLETE	4 XB		X	X	X
	QRO-1244	FEED REGULATOR MECH. COMPLETE	4 XB		X	X	X
2	445721	FEED REG. POSI. PIN RETAINING RING	4 XB		X	X	X
3	353446	FEED REG. POSITIONING PIN	4 XB		X	X	X
4	44612	FEED REG. POSITIONING SPRING	4 XB		X	X	X
5	446259	FEED REG. POSITIONING PIN BRACKET	4 XB		X	X	X
6	44543-900	FEED REG. POSITIONING MOU. PLATE	4 XB		X	X	X
7	44539-901	BUTTONHOLER & FEED REGULATOR CAM	4 TF		X	X	X
8	44606-900	BUTTONHOLER & FEED REG.SPACER STUD	4 XB		X	X	X
9	44552-900	BUTTONHOLER & FEED REG.SPACER STUD	4 XB		X	X	X
10	QRO-1242	FEED REGULATOR MOUNTING PLATE	4 XB		X	X	X
11	445945-000	REVERSE FEED CAM FOLLOWER	4 XB		X	X	X
12	139868-819	FEED REGULATOR MOUNTING PL. SCREW	4 XB		X	X	X



From the library of: Diamond Needle Corp

LISPTE13

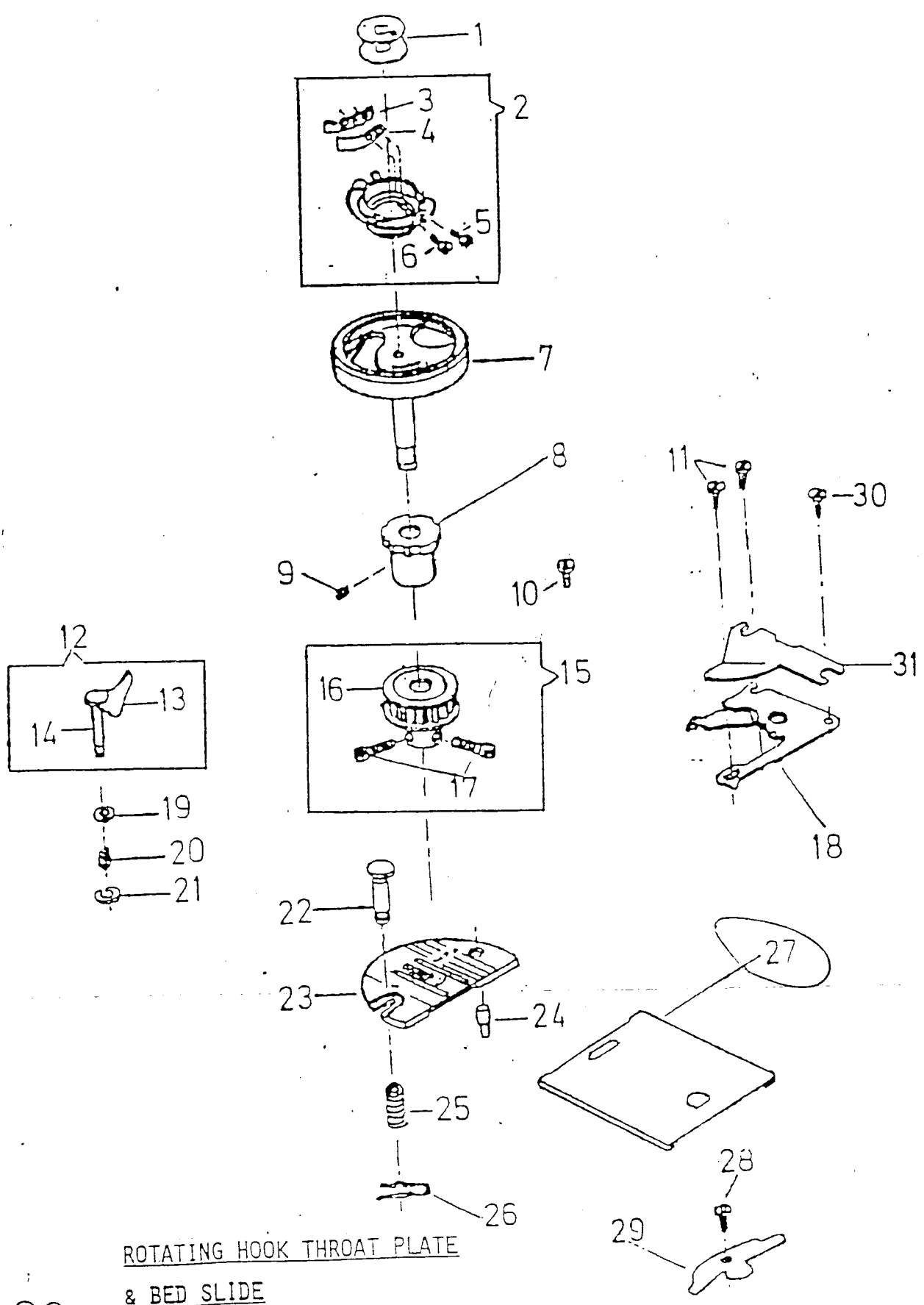
FEED SYSTEM

T C	MODELS	2	3	3
I L	9 9 9 9 9	4	1	1
P A	7 7 6 6 6	0	3	0
E S	4 2 8 6 4	4	0	2
S	R R R R R	R	R	R

REF. PART NBR.

DESCRIPTION

REF. PART NBR.	DESCRIPTION	T C	I L	P A	E S	S	R	R	R	R	R	R	R
1 445148	FEED REGULATOR CONTROL ARM ASS'Y	0	SU	X	X	X	X	X	X	X	X	X	X
2 445147-900	FEED REGULATOR CONTROL ARM	4	TQ	X	X	X	X	X	X	X	X	X	X
3 444763-900	FEED REGULATOR CONTROL ARM RIVET	2	TO	X	X	X	X	X	X	X	X	X	X
4 445149-900	FEED REGULATOR CONTROL ARM BRACKET	4	TQ	X	X	X	X	X	X	X	X	X	X
5 354766-451	FEED REG. CON. ARM BRACKET SCREW	4	TF	X	X	X	X	X	X	X	X	X	X
6 445766	FEED REGULATOR SPRING	4	RE	X	X	X	X	X	X	X	X	X	X
7 QRO-178	FEED REGULATOR HINGE STUD COMPL.	0	SU	X	X	X	X	X	X	X	X	X	X
8 44616	FEED REGULATOR HINGE STUD RING	4	TQ	X	X	X	X	X	X	X	X	X	X
9 44702	FEED REGULATOR RETURN SPRING	4	RE	X	X	X	X	X	X	X	X	X	X
10 44705	FEED REGULATOR HINGE STUD	2	TO	X	X	X	X	X	X	X	X	X	X
11 445767	FEED REGULATOR SPACER BUSHING	4	PB	X	X	X	X	X	X	X	X	X	X
12 179991	FEED REGULATOR ASS'Y	0	SU	X	X	X	X	X	X	X	X	X	X
13 179990	FEED REGULATOR	4	XB	X	X	X	X	X	X	X	X	X	X
14 141925-833	FEED REGULATOR SET SCREW	2	TO	X	X	X	X	X	X	X	X	X	X
15 444744	FEED REGULATOR PIN	2	TO	X	X	X	X	X	X	X	X	X	X
16 179993	FEED CAM COMPLETE	4	XB	X	X	X	X	X	X	X	X	X	X
17 179992-900	FEED CAM	4	XB	X	X	X	X	X	X	X	X	X	X
18 141918-833	FEED CAM SET SCREW	4	XB	X	X	X	X	X	X	X	X	X	X
19 37283	FEED FORKED CONEC. W/SLIDE BLOCK	0	SU	X	X	X	X	X	X	X	X	X	X
20 37282-901	FEED FORKED CONNECTION	4	HG	X	X	X	X	X	X	X	X	X	X
44427-900	FEED FORKED CONNECTION PIN	2	TO	X	X	X	X	X	X	X	X	X	X
21 44437	FEED FORKED CONNECTION SLIDE BLOCK	4	ST	X	X	X	X	X	X	X	X	X	X
22 141805-850	FEED L.ROCK SHAFT HINGE SCREW ECCE	2	TO	X	X	X	X	X	X	X	X	X	X
23 531953	FEED SHAFT & BAR COMPLETE	0	SU	X	X	X	X	X	X	X	X	X	X
24 44505	SCREW CENTER WITH NUT	0	SU	X	X	X	X	X	X	X	X	X	X
25 141921-850	SCREW CENTER	4	TO	X	X	X	X	X	X	X	X	X	X
26 53647-819	FEED BAR SCREW CENTER NUT	4	TO	X	X	X	X	X	X	X	X	X	X
27 141920-452	FEED DOG SCREW	4	TF	X	X	X	X	X	X	X	X	X	X
28 531667	FEED DOG	4	XB	X	X	X	X	X	X	X	X	X	X
29 44601	FEED BAR	4	HG	X	X	X	X	X	X	X	X	X	X
30 37915	FEED SHAFT	4	HG	X	X	X	X	X	X	X	X	X	X
31 179880-001	ROCK SHAFT CENTER	4	PB	X	X	X	X	X	X	X	X	X	X
32 141925-833	CENTER SET SCREW	2	TO	X	X	X	X	X	X	X	X	X	X
33 37284-001	FEED FORKED CONNECTION RET. WASHER	4	TQ	X	X	X	X	X	X	X	X	X	X
34 37288	FEED LIFTING ROCK SHAFT CONN. ROD	4	HG	X	X	X	X	X	X	X	X	X	X
35 53648-819	HINGE SCREW NUT	2	TO	X	X	X	X	X	X	X	X	X	X
36 319675	FEED LIFTING ROCK SHAFT ASS'Y	0	SU	X	X	X	X	X	X	X	X	X	X
37 44604-901	FEED LIFTING ROCK SHAFT	4	HG	X	X	X	X	X	X	X	X	X	X
38 44623	FEED LIFTING ROCK SHAFT PIN	2	TO	X	X	X	X	X	X	X	X	X	X
39 QRO-232/900	FEED BAR ASS'Y	0	SU	X	X	X	X	X	X	X	X	X	X



ROTATING HOOK THROAT PLATE
& BED SLIDE

LISPTE14

ROTATING HOOK
THROAT PLATE & BED SLIDE

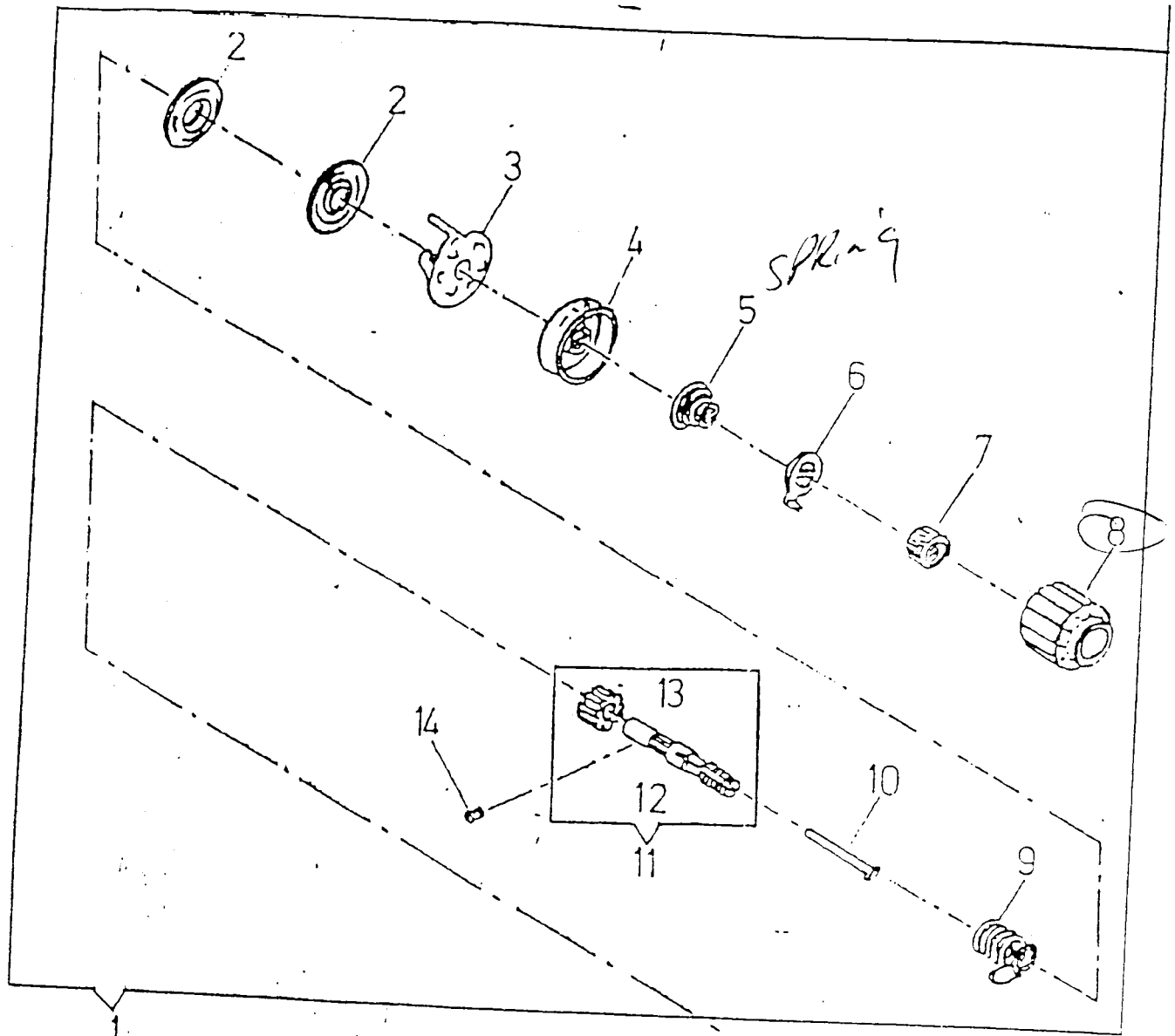
T C	MODELS									
I L	9	9	9	9	9	4	1	1		
P A	7	7	6	6	6	0	3	0		
E S	4	2	8	6	4	4	0	2		
S	R	R	R	R	R	R	R	R	R	R

REF. PART NBR.

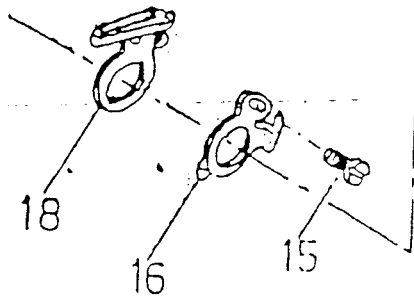
DESCRIPTION

1	172336	ROTATING HOOK BOBBIN (PLASTIC)	4	PB	X	X	X	X	X	X	X	X	X
2	421325	ROTATING HOOK BOBBIN CASE COMPLETE	4	XF	X	X	X	X	X	X	X	X	X
3	310884-451	R.HOOK BOBBIN CASE TENSION SPRING	4	XF	X	X	X	X	X	X	X	X	X
4	310883	R.HOOK BOBBIN CASE T. SPRING SEG.	4	XF	X	X	X	X	X	X	X	X	X
5	139975-803	SPRING TENSION ADJUSTING SCREW	4	XF	X	X	X	X	X	X	X	X	X
6	354183-451	SPRING SEGMENT SCREW	4	XF	X	X	X	X	X	X	X	X	X
7	445554-001	ROTATING HOOK	4	XB	X	X	X	X	X	X	X	X	X
8	44512-000	ROTATING HOOK BUSHING	4	XB	X	X	X	X	X	X	X	X	X
9	141925-833	ROTATING HOOK BUSHING SET SCREW	2	TO	X	X	X	X	X	X	X	X	X
10	139943-819	FLANGED BUSHING POS. ADJ. SCREW	4	TF	X	X	X	X	X	X	X	X	X
11	354229-819	ROTATING H. BOBBIN CASE POS. SCREW	4	TF	X	X	X	X	X	X	X	X	X
12	353123	R.HOOK BOBBIN CASE RETAINING PLATE	0	SU	X	X	X	X	X	X	X	X	X
13	353110	RETAINING PLATE BOBBIN CASE	4	TQ	X	X	X	X	X	X	X	X	X
14	422130	RETAINING PLATE BOBBIN CASE PIN	2	TO	X	X	X	X	X	X	X	X	X
15	445559	R. HOOK BELT DRIVE PULLEY COMPL.	0	SU	X	X	X	X	X	X	X	X	X
16	445557-901	R. HOOK BELT DRIVE PULLEY	4	XB	X	X	X	X	X	X	X	X	X
17	354664-451	R. HOOK BELT DRIVE PULLEY SCREW	2	TO	X	X	X	X	X	X	X	X	X
18	44873-900	ROTATING HOOK BOBBIN CASE P. PLATE	4	XM	X	X	X	X	X	X	X	X	X
19	447486	R. HOOK BOBBIN CASE R.PLATE WASHER	4	TQ	X	X	X	X	X	X	X	X	X
20	353122	R. HOOK BOBBIN CASE R.PLATE SPRING	4	RE	X	X	X	X	X	X	X	X	X
21	QRO-1000	R. HOOK BOBBIN CASE R.PLATE RING	4	TQ	X	X	X	X	X	X	X	X	X
22	444888	THROAT PLATE CLAMP	4	TO	X	X	X	X	X	X	X	X	X
23	531663 / 64	THROAT PLATE 42	2	TQ	X	X	X	X	X	X	X	X	X
24	179943	THROAT PLATE POSITIONING PIN	4	PB	X	X	X	X	X	X	X	X	X
25	444889	THROAT PLATE CLAMP SPRING	4	RE	X	X	X	X	X	X	X	X	X
26	179658	THROAT PLATE CLAMP SPRING CLIP	4	RE	X	X	X	X	X	X	X	X	X
✓ 27	446151	BED SLIDE	4	TQ	X	X	X	X	X	X	X	X	X
28	354766-451	BED SLIDE SPRING SCREW	4	TF	X	X	X	X	X	X	X	X	X
29	37239	BED SLIDE SPRING	4	TQ	X	X	X	X	X	X	X	X	X
30	354227-452	R. HOOK BOBBIN CASE R.PLATE SCREW	4	TF	X	X	X	X	X	X	X	X	X
31	381903	R. HOOK BOBBIN CASE R.PLATE ADJUS.	4	XM	X	X	X	X	X	X	X	X	X

→ 531663 is ZZ plate
531664 is SS plate



From the library of: Diamond Needle Corp



LISPTE15

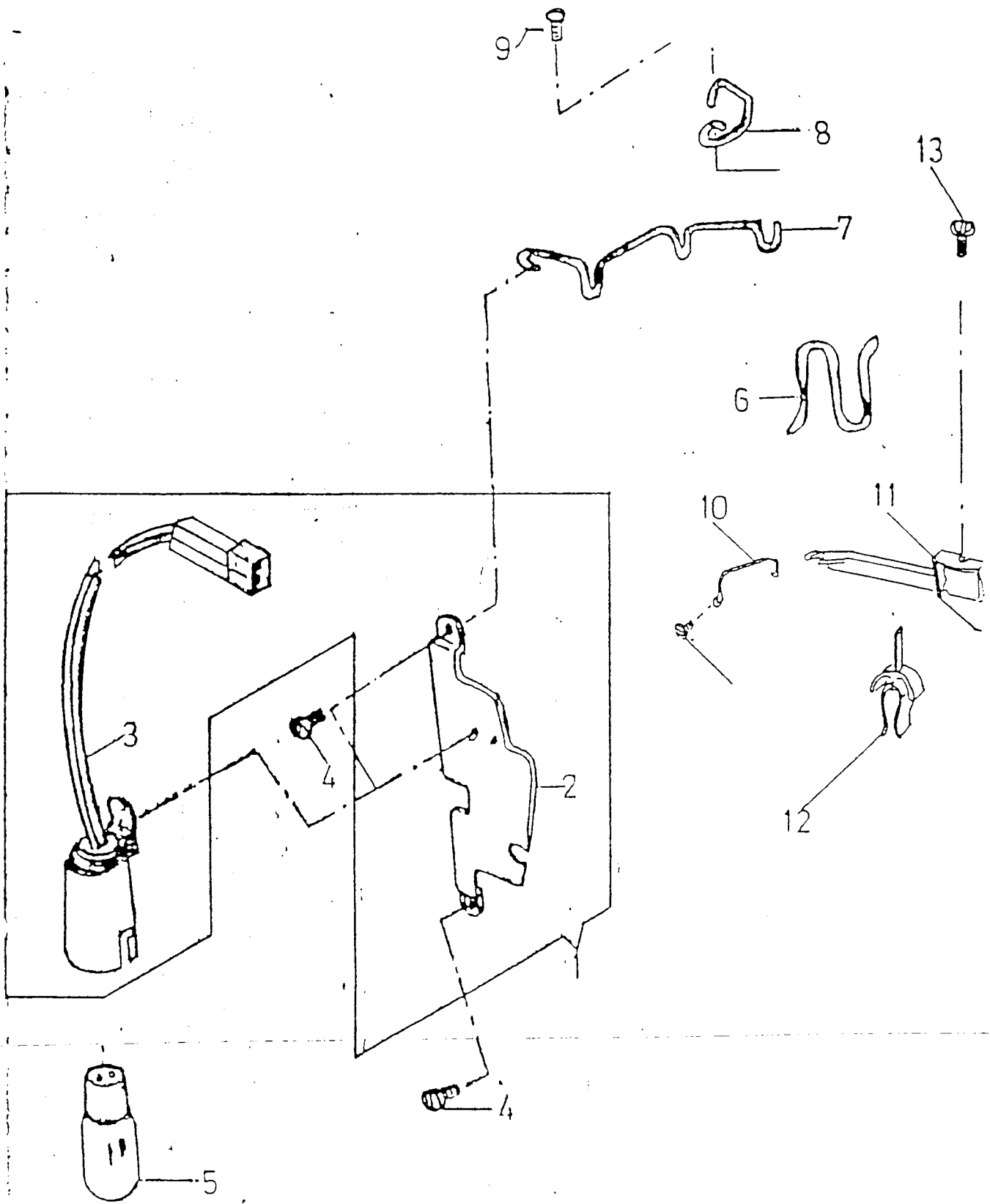
TENSION MECHANISM

T C	MODELS						2	3	3
I L	9	9	9	9	9	4	1	1	
P A	7	7	6	6	6	0	3	0	
E S	4	2	8	6	4	4	0	2	
S	R	R	R	R	R	R	R	R	

REF. PART NBR.

DESCRIPTION

✓ 1	446323	TENSION MOUNTING BRACKET COMPLETE	0	SU	X	X	X	X	X	X	X	X	X
2	2102-001	TENSION DISC	4	TQ	X	X	X	X	X	X	X	X	X
3	353250	THREAD TAKE-UP SPRING THREAD GUARD	4	TQ	X	X	X	X	X	X	X	X	X
4	44879-478	TENSION SPRING CUP	4	PB	X	X	X	X	X	X	X	X	X
5	125314	TENSION SPRING	4	RE	X	X	X	X	X	X	X	X	X
6	37984	TENSION MOUNTING BRACKET	4	TQ	X	X	X	X	X	X	X	X	X
7	446126	TENSION INDICATOR ADAPTER	2	TO	X	X	X	X	X	X	X	X	X
✓ 8	445054-029	TENSION INDICATOR DIAL	4	PB	X	X	X	X	X	X	X	X	X
9	353248	THREAD TAKE-UP SPRING	4	RE	X	X	X	X	X	X	X	X	X
10	446331	TENSION RELEASING PIN	4	TQ	X	X	X	X	X	X	X	X	X
11	446333	TENSION STUD ASS'Y	0	SU	X	X	X	X	X	X	X	X	X
12	446332	TENSION STUD	2	TO	X	X	X	X	X	X	X	X	X
13	SK-3254-900	TENSION STUD COLLAR	4	PB	X	X	X	X	X	X	X	X	X
14	141803-819	TENSION STUD SET SCREW	4	TO	X	X	X	X	X	X	X	X	X
15	141920-451	SLACK TH. REG. & TENSION SCREW	4	TF	X	X	X	X	X	X	X	X	X
16	353249	SLACK TH. REG. & TENSION TH. GUIDE	4	TQ	X	X	X	X	X	X	X	X	X
17	37989	THREAD GUIDE LOWER	4	TQ	X	X	X	X	X	X	X	X	X
18	37990	SLACK TH. REG. & TENSION TH. GUIDE	4	TQ	X	X	X	X	X	X	X	X	X



From the library of: Diamond Needle Corp

INTEGRAL LIGHT

LISPTE16

INTEGRAL LIGHT

T C	MODELS					2	3	3
I L	9	9	9	9	9	4	1	1
P A	7	7	6	6	6	0	3	0
E S	4	2	8	6	4	4	0	2
S	R	R	R	R	R	R	R	R

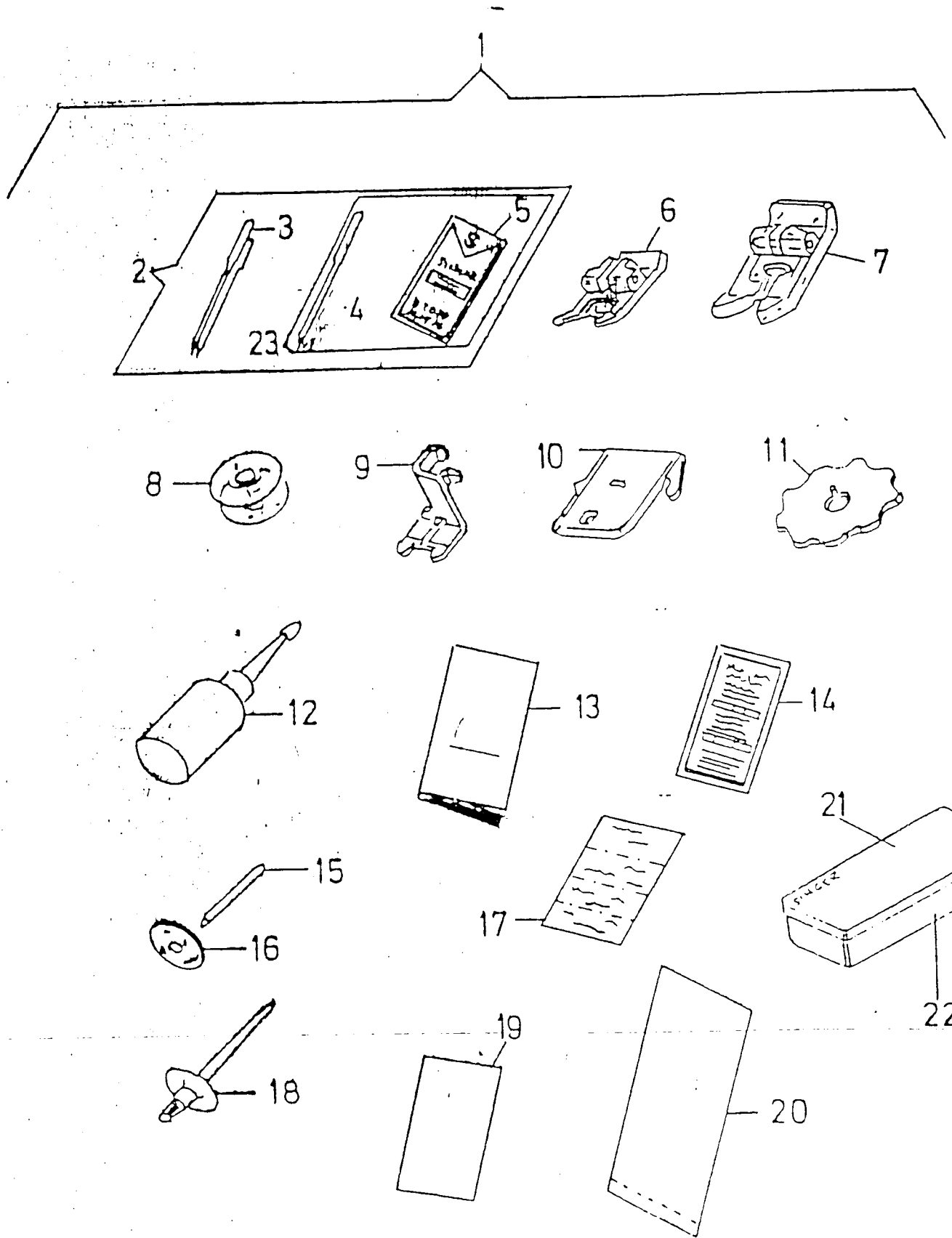
REF. NO. PARTE

DESCRIPCION

1	QRO-966	LIGHT COMPLETE ASS'Y	4	SU	X	X	X	X	X				
2	446001-1016	LIGHT BRACKET SUPORT PLATE	4	TQ	X	X	X	X	X	X	X	X	X
3	QRO-965	LIGHT ASS'Y	4	SU	X	X	X	X	X				
	NP-0067	LIGHT COMPLETE ASS'Y (IMPORTED)	4	XB							X	X	X
4	141844-819	LIGHT SUPORT SET SCREW	4	TF	X	X	X	X	X	X	X	X	X
5	777910-001	LIGHT BULB 15 W.	4	XT	X	X	X	X	X	X	X	X	X
6	QRO-1013	LIGHT LEAD RETAINER	4	PT	X	X	X	X	X				
7	QRO-967	LIGHT LEAD RETAINER FRONTAL	4	PT	X	X	X	X	X				
8	QRO-993	LIGHT LEAD RETAINER	4	PT	X	X	X	X	X				
9	354765-451	LIGHT LEAD RETAINER SCREW	4	TF	X	X	X	X	X				
10	445626	LIGHT LEAD RETAINER FRONTAL	4	XB							X	X	X
11	445605	LIGHT LEAD RETAINER (PLASTIC)	4	XB							X	X	X
12	605449-001	LIGHT LEAD RETAINER	4	XB							X	X	X
13	354766-451	LIGHT LEAD RETAINER SCREW	4	TO							X	X	X

270

362 001006



Vertical

LISPTE17

ATTACHMENT SET

T C	MODELS	2	3	3
I L	9 9 9 9 9	4	1	1
P A	7 7 6 6 6	0	3	0
E S	4 2 8 6 4	4	0	2
S	R R R R R	R	R	R

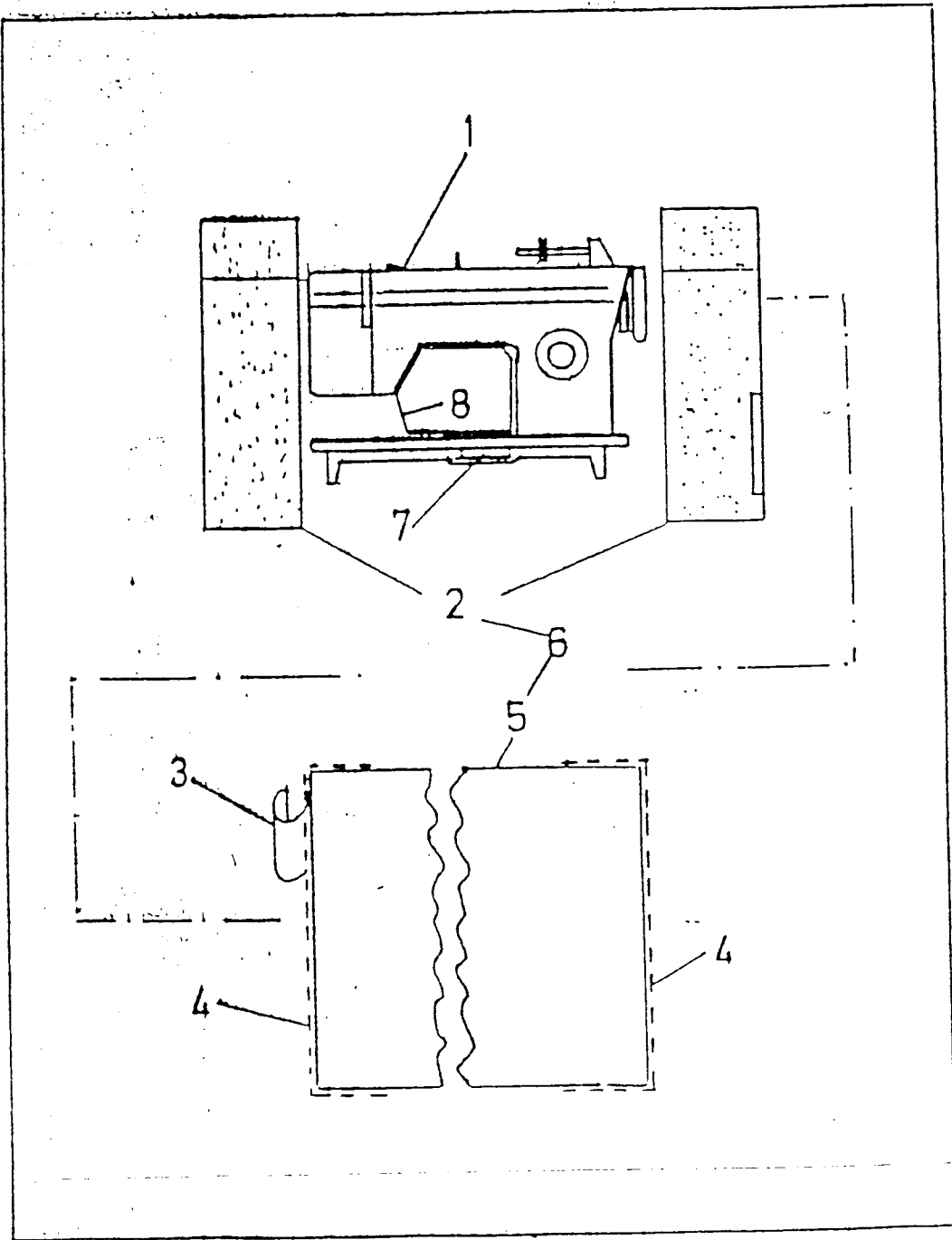
REF. PART NBR.

DESCRIPTION

✓ 1	QRO-1196-001	ATTACHMENT SET BOX	4	SU	X					X	X
	QRO-1196-002	ATTACHMENT SET BOX	4	SU		X					
	QRO-1196-003	ATTACHMENT SET BOX	4	SU			X				
	QRO-1196-004	ATTACHMENT SET BOX	4	SU				X	X		X
2	QRO-723	NEEDLE PACK BAG	4	SU	X	X	X	X	X	X	X
3	2028	TWIN NEEDLE	4	XB	X	X	X			X	X
4	2045	NEEDLE BALL POINT	4	XB	X	X	X	X	X	X	X
5	381058	NEEDLE PACK BAG 11,14,16.	4	XB	X	X	X	X	X	X	X
6	446492-451	PRESSER FOOT-SPECIAL PURPOSE	4	XB	X	X	X			X	X
7	161927	PRESSER FOOT PLATE FOR BUTTONHOLER	4	XB	X	X	X			X	X
8	172336	BOBBIN PLASTIC	4	PB	2	2	2	2	2	2	2
9	179911	PRESSER FOOT BUTTON SEWING	4	XB	X	X	X			X	X
10	381495	FEED COVER PLATE (PLASTIC/DARN)	4	XB	X	X	X	X	X	X	X
11	171340	DISC # 350	4	PB	X	X				X	X
	171342	DISC # 352	4	PB	X	X				X	X
	171343	DISC # 353	4	PB	X	X				X	X
	171345	DISC # 355	4	PB	X	X				X	X
	276302	DISC # 2	4	PB	X	X				X	X
	276303	DISC # 3	4	PB	X	X				X	X
	276305	DISC # 5 -	4	XK	X					X	X
	276306	DISC # 6 - DISC	4	PB	X	X				X	X
	276307	DISC # 7	4	PB	X	X				X	X
	276309	DISC # 9	4	PB	X	X				X	X
	276311	DISC # 11	4	XK	X					X	X
	276312	DISC # 12	4	XK	X					X	X
	276313	DISC # 13	4	PB	X	X				X	X
	276314	DISC # 14	4	PB	X	X				X	X
	276316	DISC # 16	4	XK	X					X	X
	276317	DISC # 17	4	XK	X					X	X
	276318	DISC # 18	4	XK	X					X	X
	276319	DISC # 19	4	XK	X					X	X
	276320	DISC # 20	4	XK	X					X	X
	276321	DISC # 21	4	XK	X					X	X
	276322	DISC # 22	4	XK	X					X	X
	236323	DISC # 23	4	XK	X					X	X
	276325	DISC # 25	4	XK	X					X	X
	276326	DISC # 26	4	XK	X					X	X
	276327	DISC # 27	4	XK	X					X	X
	276328	DISC # 28	4	PB	X	X				X	X
	276329	DISC # 29 DISC	4	XK	X					X	X
	276330	DISC # 30	4	XK	X					X	X
	276337	DISC # 37	4	XK	X					X	X
	276351	DISC # 51	4	XK	X					X	X
12	447463-000	OIL CONTAINER 15 C.C.	4	XK	X					X	X
13	QRO-1197	INSTRUCTION BOOK	4	PT	X	X	X	X	X		
	QRO-1197-001	INSTRUCTION BOOK	4	FO	X	X	X	X	X		
	QRO-1197-002	INSTRUCTION BOOK	4	FO						X	X
14	QRO-1159	GUARENTEED SHEET	4	FO							X
15	8879-750	SPOOL PIN WASHER FELT	4	FO	X	X	X	X	X		
16	173571	SPOOL PIN	4	TQ	X	X	X	X	X	X	X
			4	PB		X	X	X			X

From the library of: Diamond Needle Corp

17	F-2919-1	OPERATING MACHINE CLASS (3)	4	FO	X	X								
	F-2929-2	OPERATING MACHINE CLASS (2)	4	FO			X	X	X					
18	444813-454	SPOOL PIN TWIN NEEDLE	4	PB	X	X				X	X			
19	QRO-1164	SERVICE CENTER SHEET	4	FO	X	X	X	X	X					
20	447131	ATTCHAMENT BOX COVER	4	PB	X	X	X	X	X	X	X	X	X	
22	447132	ATTCHAMENT BOX BASE	4	PB	X	X	X	X	X	X	X	X	X	
23	381480	NEEDLE PACK 11,14,16 Y 2045	4	SU										X



MACHINE PACKING DEVELOPMENT

LISPT18

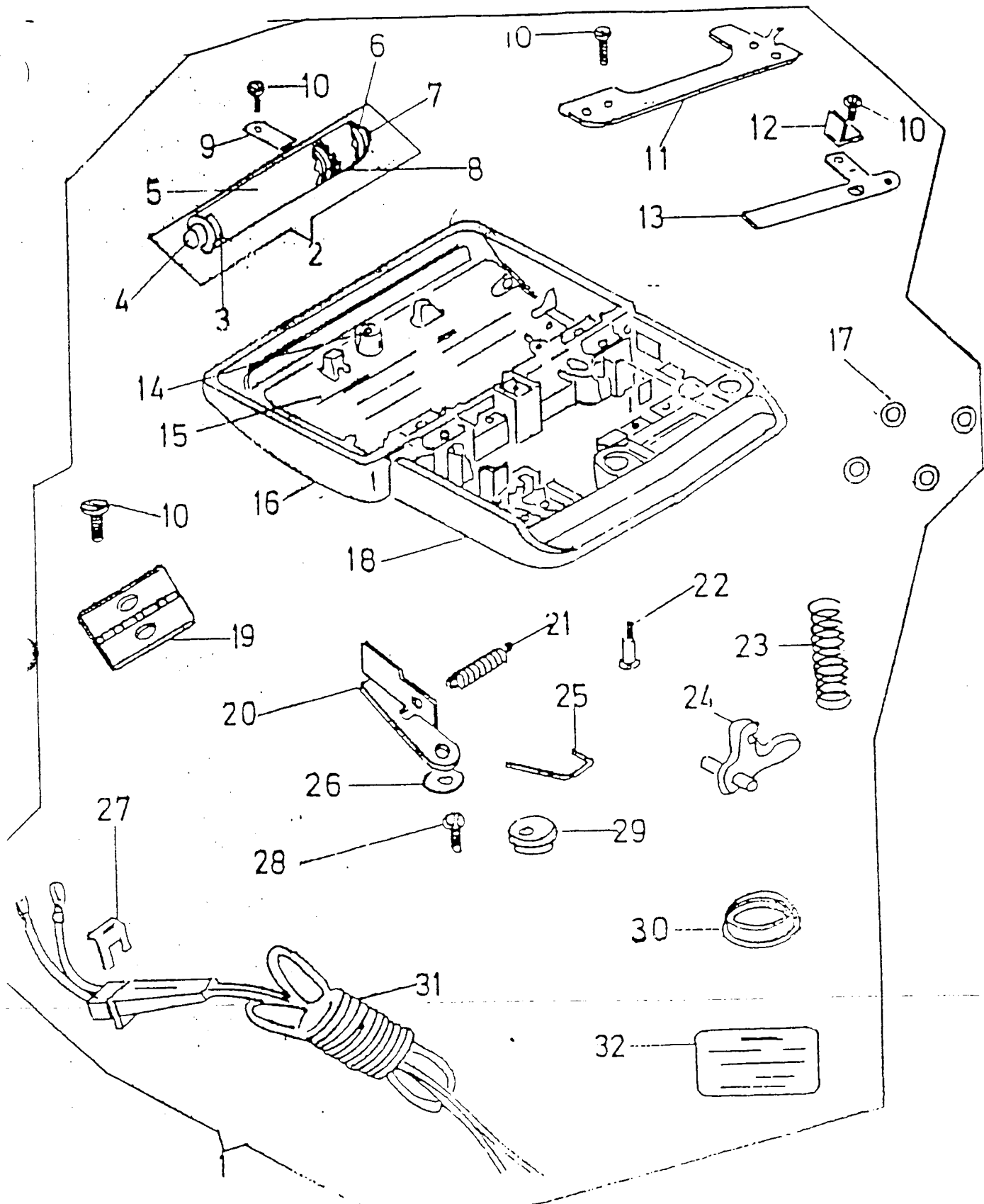
MACHINE PACKING
DEVELOPMENT

T	C	MODELOS					2	3	3
I	L	9	9	9	9	9	4	1	
P	A	7	7	6	6	6	0	3	
O	S	4	2	8	6	4	4	0	
E	R	R	R	R	R	R	R	R	

REF. PART NBR.

DESCRIPTION

REF. PART NBR.	DESCRIPTION	T	C	MODELOS	2	3	3
1	974-R FACILITA MASTER	0	SU	X			
	972-R FACILITA ULTRA	0	SU	X			
	968-R SUPER NOVA	0	SU		X		
	966-R PUNTO PERFECTO	0	SU			X	
	964-R STELLA	0	SU				X
	2404R MAQ.MOD EXP.USA	0	SU				X
	3130R MAQ.MOD.3130R MERRITT EXP.USA	0	SU				X
	3102R MAQ.MOD.3102R EXP.USA	0	SU				X
2	QRO-1078 COCOONS POLYESTIRENE	0	PT	X	X	X	X
3	QRO-1249 QUALITY DATE	4	FO	X	X	X	X
	QRO-1255 QUALITY DATE	4	FO				X
4	02-01-0017 ADHESIVE TAPE 2"	4	PT	X	X	X	X
5	QRO-1076 CARTON BOX 11KG.	4	PT	X	X	X	X
	QRO-1076-001 CARTON BOX 11KG.EXP.USA	4	PT				X
6	QRO-1080 PACKING COMPONENTS	0	SU	X	X	X	X
	QRO-1080-001 PACKING COMPONENTS EXP. USA	0	SU				X
7	QRO-1254 CAUTION ADHESIVE NAMEPLATE BED	4	FO				X
8	QRO-1253 WRAPPING CARTON	4	PT				X



From the library of: Diamond Needle Corp

*Foot Controller
for 3102
270 36209501*

*QRO - for 3130/3145
QRO - 1495*

LISPTE19

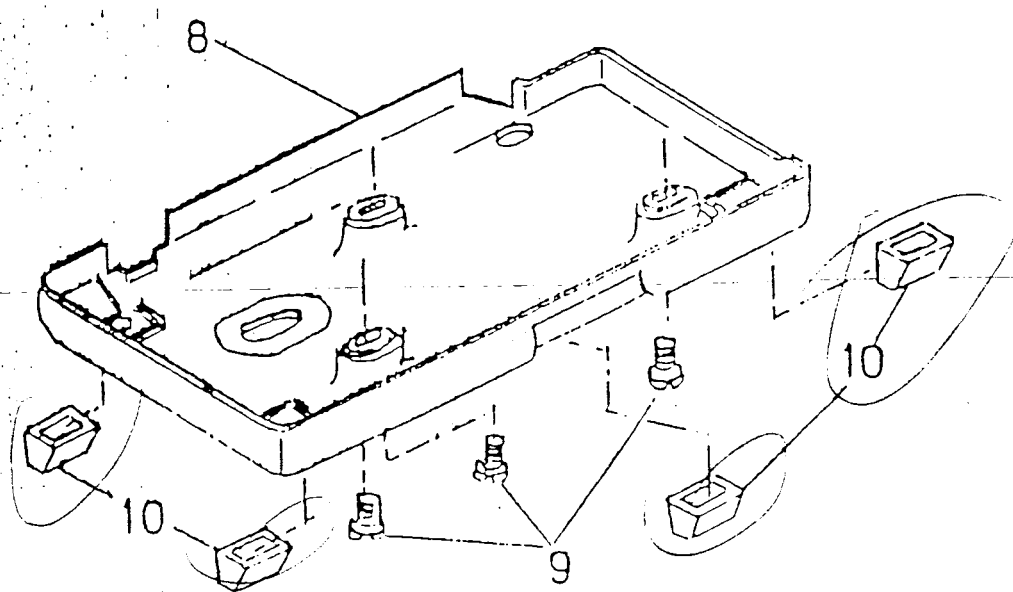
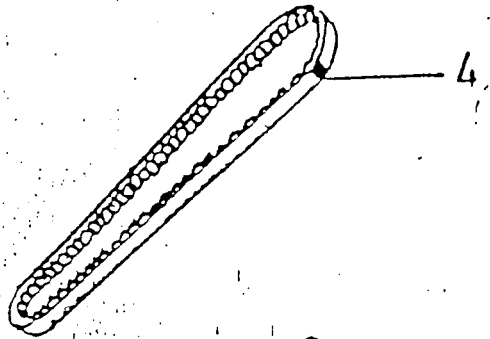
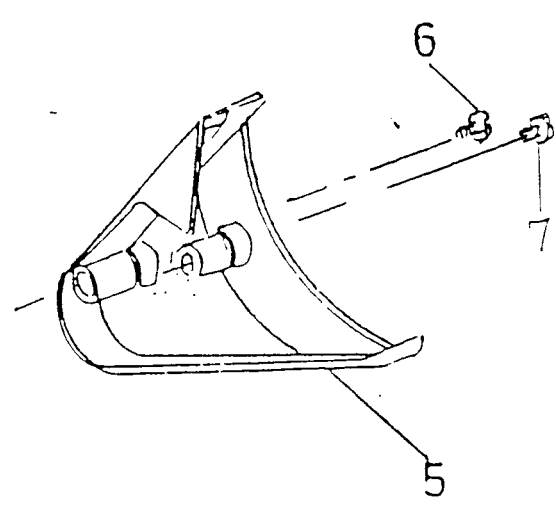
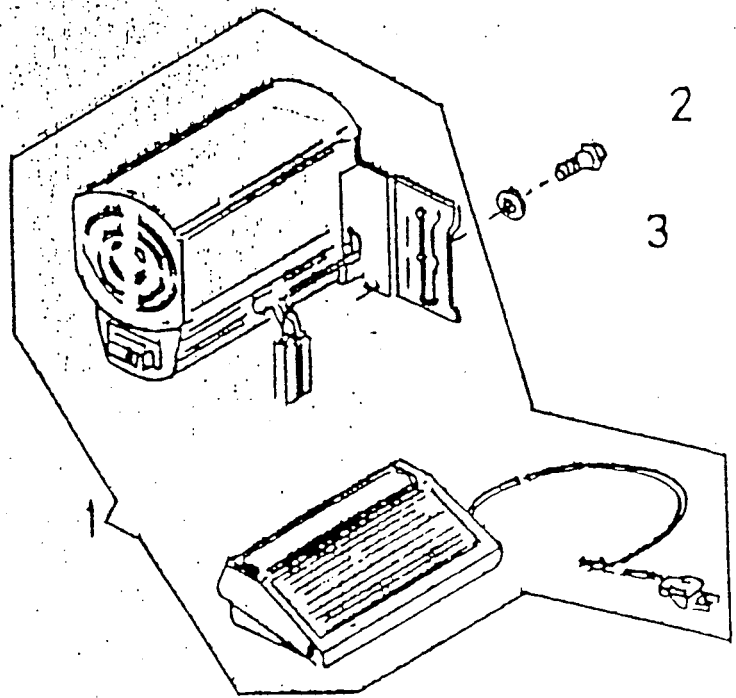
FOOT CONTROLLER
DEVELOPMENT

T C MODELS
I L 9 9 9 9 9
P A 7 7 6 6 6
E S 4 2 8 6 4
S R R R R R

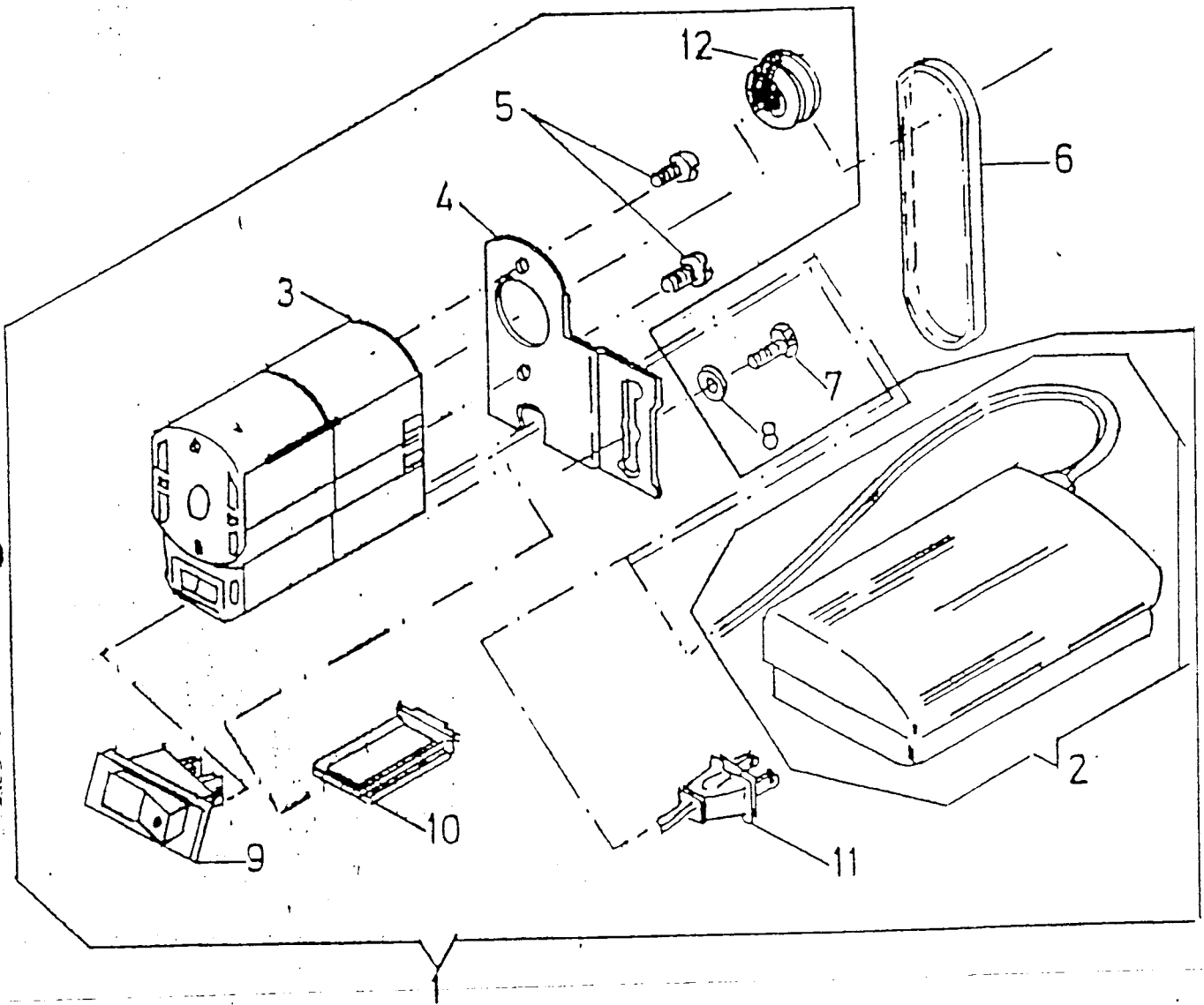
REF. PART NBR

DESCRIPTION

REF. PART NBR	DESCRIPTION	T	C	M	O	D	E	L
1 604315-001	FOOT CONTROLLER COMPLETE	1	SU	X	X	X	X	X
2 604321-002	RESISTANCE COMPLETE	1	SU	X	X	X	X	X
3 604326-901	RESISTANCE COVER	4	TQ	X	X	X	X	X
4 604327-901	CARBON BOTTON LONG	4	XB	X	X	X	X	X
5 618599-901	PIPE RESISTANCE	4	XT	X	X	X	X	X
6 618635-901	RETAINING RING	4	RE	X	X	X	X	X
7 618601-901	CARBON BOTTON SHORT	4	XB	X	X	X	X	X
8 706343-901	CARBON DISC (105)	4	XB	X	X	X	X	X
9 618612-001	RESISTANCE PLATE CLAMP	4	TQ	X	X	X	X	X
10 618634-004	SCREW SHORT (9)	4	TF	X	X	X	X	X
11 604318-001	CONTACT TAB	4	TQ	X	X	X	X	X
12 618815-001	CONTACT	4	TQ	X	X	X	X	X
13 604319-001	SPRING TAB	4	TQ	X	X	X	X	X
14 619193-902	INSERT	4	TO	X	X	X	X	X
15 604320-001	HEAT RESISTANCE REFLECTION PLATE	4	TQ	X	X	X	X	X
16 604316-903	FOOT CONTROLLER COVER	4	PB	X	X	X	X	X
17 QRO-1035	CUSHION RUBER	4	PT	X	X	X	X	X
18 604317-002	FOOT CONTROLLER BASE	4	PB	X	X	X	X	X
19 603824-001	FOOT CONTROLLER HINGE	4	TQ	X	X	X	X	X
20 604330-001	CONTACT STRAP	4	TQ	X	X	X	X	X
21 604329-001	CONTACT STRAP SPRING	4	RE	X	X	X	X	X
22 604332-001	SCREW LONG	4	TO	X	X	X	X	X
23 604333-001	FOOT CONTROLLER RETURN SPRING	4	RE	X	X	X	X	X
24 QRO-1155	BRACKET SUPORT	4	PB	X	X	X	X	X
25 604328-001	RETURN SPRING	4	RE	X	X	X	X	X
26 604334-001	CONTACT WASHER	4	TQ	X	X	X	X	X
27 618813-001	STRAIL RELIEF STAPLE	4	TQ	X	X	X	X	X
28 618634-009	SCREW LONG	4	TF	X	X	X	X	X
29 QRO-1160	CONTACT EXCENTRIC	4	PB	X	X	X	X	X
30 QRO-1034	CAP SCREW	4	PT	X	X	X	X	X
31 604059-014	CORDON ASS'Y	4	PT	X	X	X	X	X
603837-914	CORDON CONDUCTOR	4	PT	X	X	X	X	X
618816-901	TERMINAL (2)	4	PT	X	X	X	X	X
32 QRO-1029	FOOT CONTROLLER ADHESIVE DATE	4	FO	X	X	X	X	X



OPTIONS PARTS



From the library of: Diamond Needle Corp

SET ELECTRIC COMPLETE

LISPTE22

SET ELECTRIC COMPLETE

T C	MODELS	2	3	3
I L	9 9 9 9 9	4	1	1
P A	7 7 6 6 6	0	3	0
E S	4 2 8 6 4	4	0	2
S	R R R R R	R	R	R

REF. PART NBR

DESCRIPTION

1	QRO-1200	SET ELECTRIC COMPL. BZR 70-7	4	SU	X	X	X	X	X
2	604315-001	FOOT CONTROLLER CR-305	4	SU	X	X	X	X	X
3	NP-2201-001	MOTOR BZR 70-7	4	SU	X	X	X	X	X
4	603779-011	MOTOR BARCKET	4	TQ	X	X	X	X	X
5	NP-2217-901	TAPPING SCREW	4	TF	X	X	X	X	X
6	196388-003	MOTOR BELT	4	PT	X	X	X	X	X
7	140688-003	MOTOR MOUNTING SCREW	4	TF	X	X	X	X	X
	604020-003	MOTOR MOUNTING SCREW	4	TF	X	X	X	X	X
8	191417-003	MOTOR MOUNTING SCREW WASHER	4	TQ	X	X	X	X	X
9	QRO-1045	LIGHT SWITCH	4	PT	X	X	X	X	X
10	603780-001	MOTOR COVER LOWER	4	PB	X	X	X	X	X
11	713435-977	PLUG CORDON	4	PT	X	X	X	X	X
12	QRO-1154	PULLEY	4	PB	X	X	X	X	X

Real control
QRO-1495
3130

3130 ft
control N/A
Per 3000
3130
motor:
part # 605466007
pu-shawen
4-96
RCH

3102 motor # 362194001

following this includes

motor
foot-control
band
light